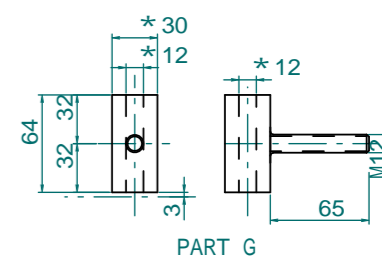
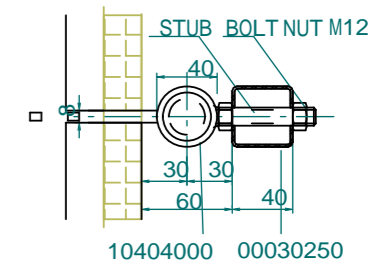
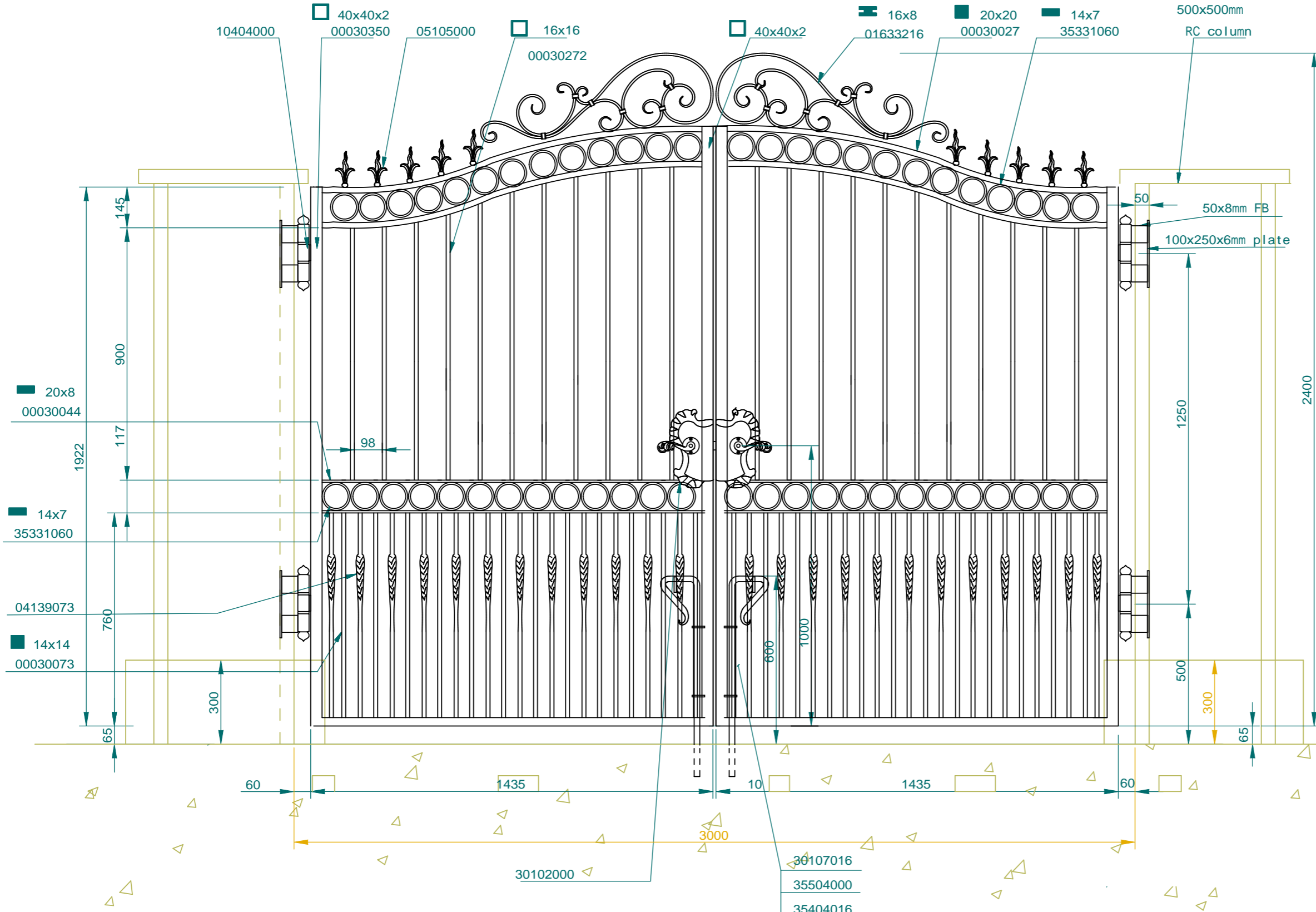
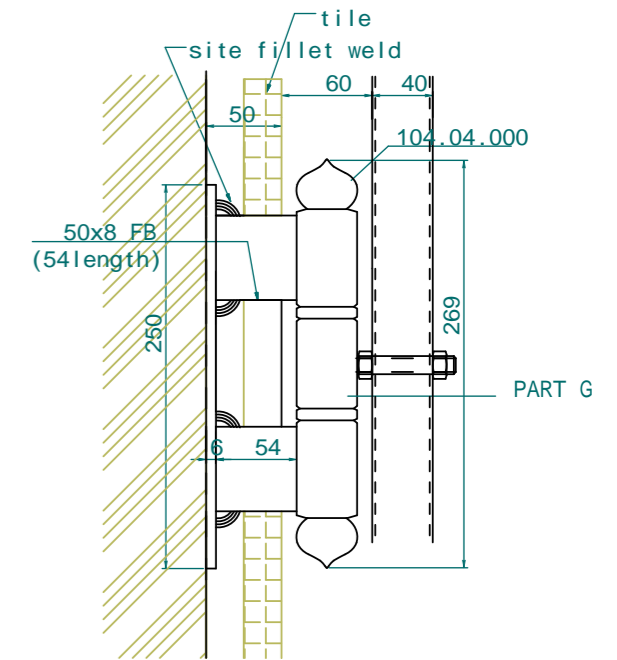


HINGE DETAIL 1:5



No.	1-0071	Title:	
View:	T	Subject:	GATE
	L F R	Scale (Size):	1:15 (A3)
	B	Date:	
		Sign:	RJ
LECKY METAL ORNAMENTS JAPAN			