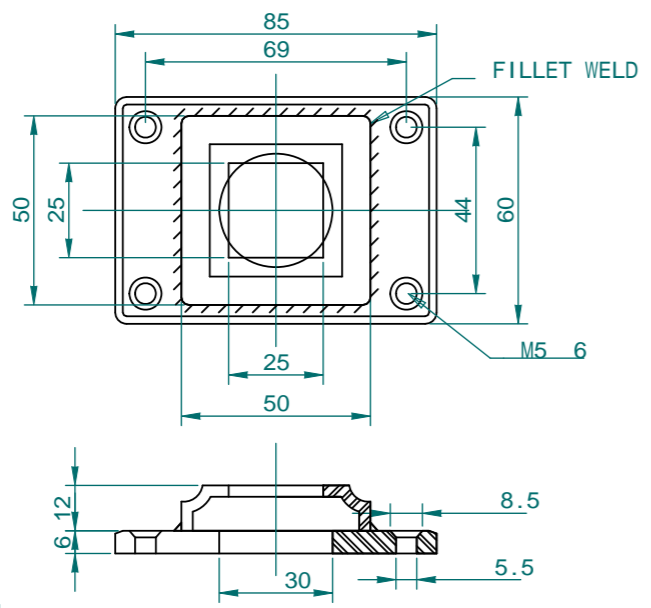
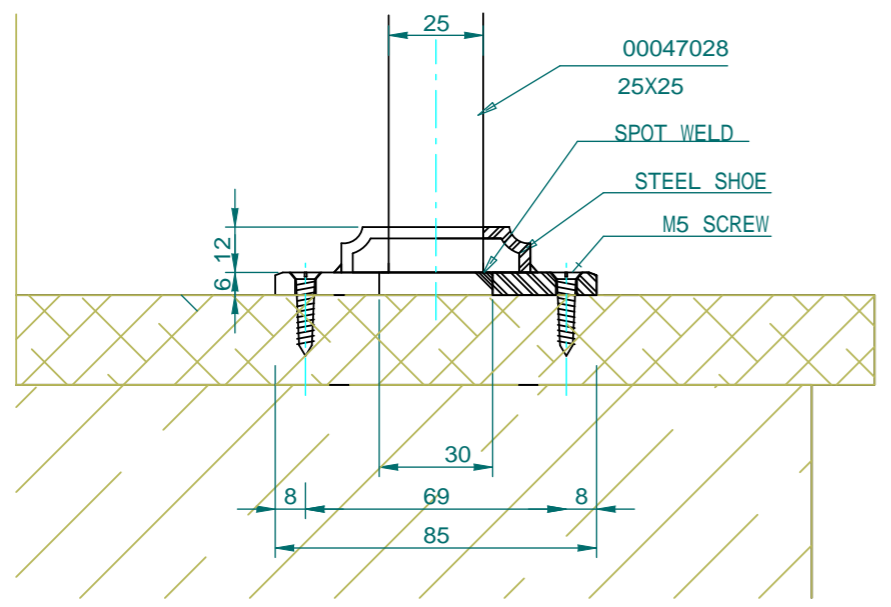


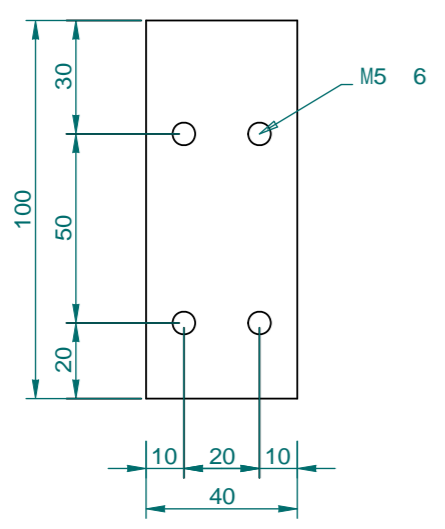
STEEL SHOE SCALE 1:2



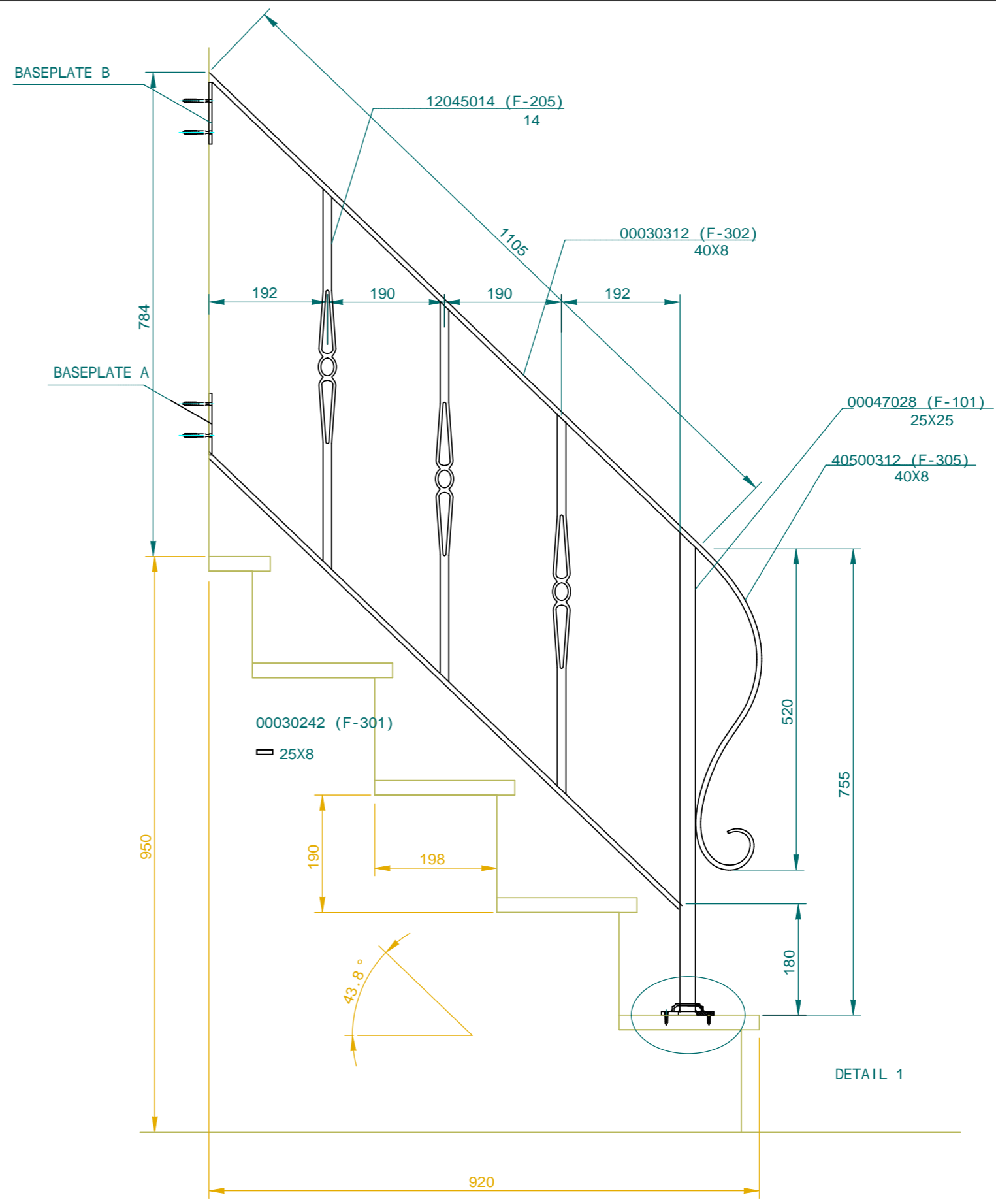
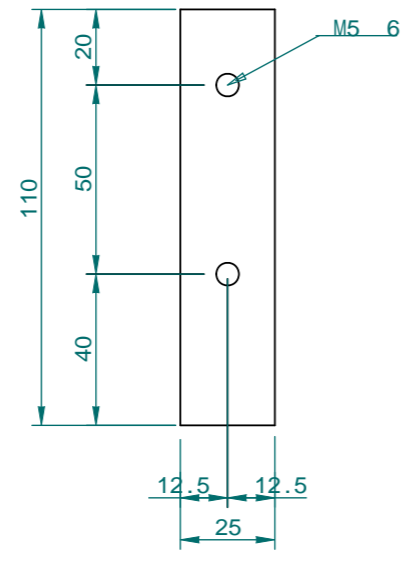
DETAIL 1 SCALE 1:2



baseplate B SCALE 1:2



baseplate A SCALE 1:2



STAIRCASE RAILING ELEVATION SCALE 1:8

Object	STAIRCASE RAILING	Scale	1:8 & 1:2
No	0125	Date	
Lecky Metal Ornaments Japan			