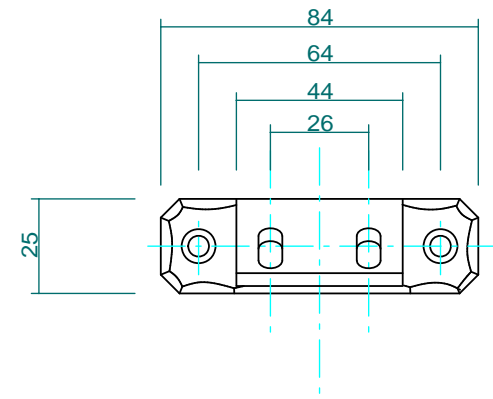


A-A (1:2)



No.	Title:		
View:	T	Subject: 階段手摺A	
L	F	Scale(Size): 1: 10(A3)	Date: _____
B	R	Sign: W1j	
LECKY METAL ORNAMENTS JAPAN			