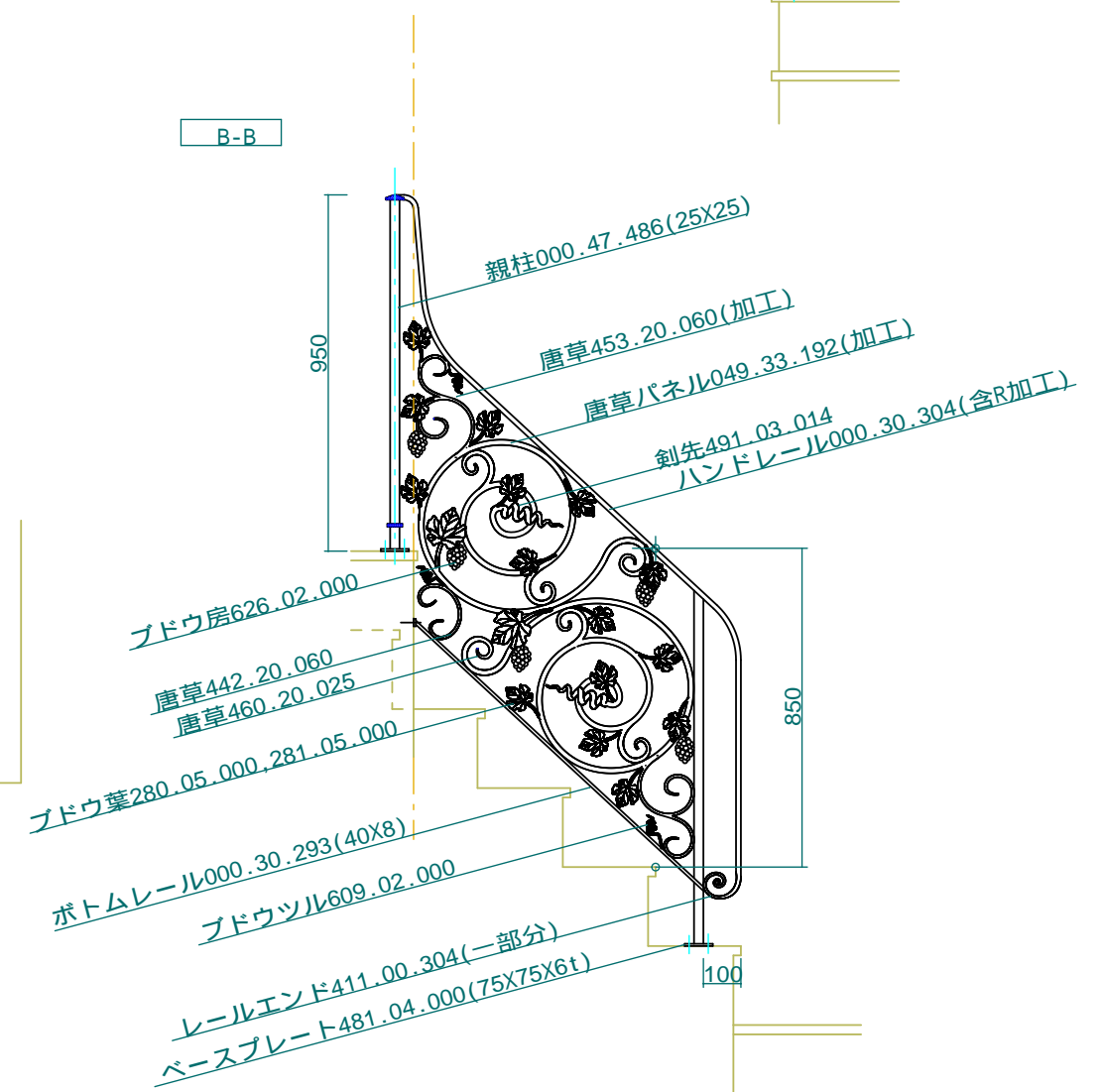
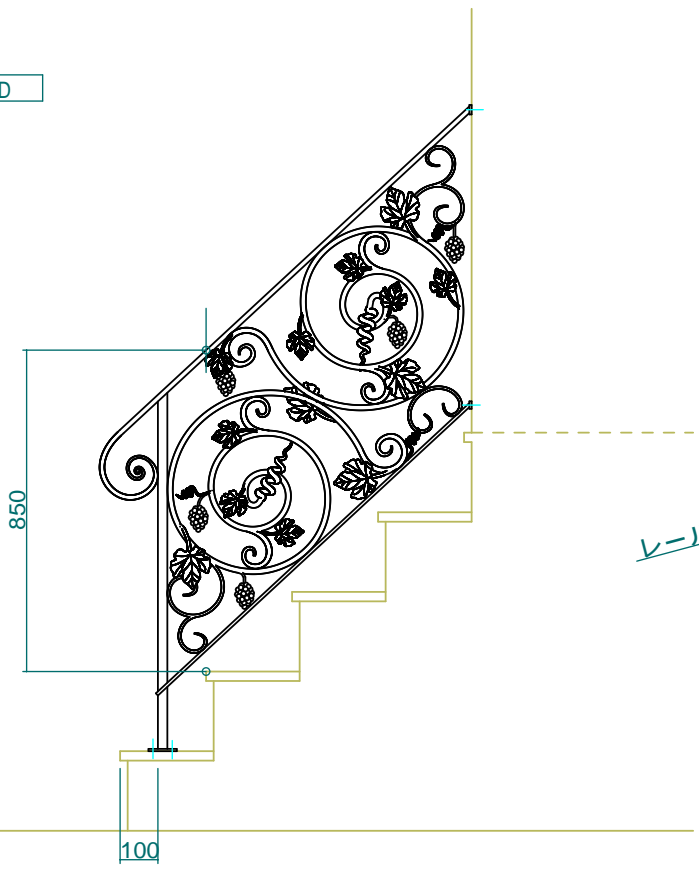


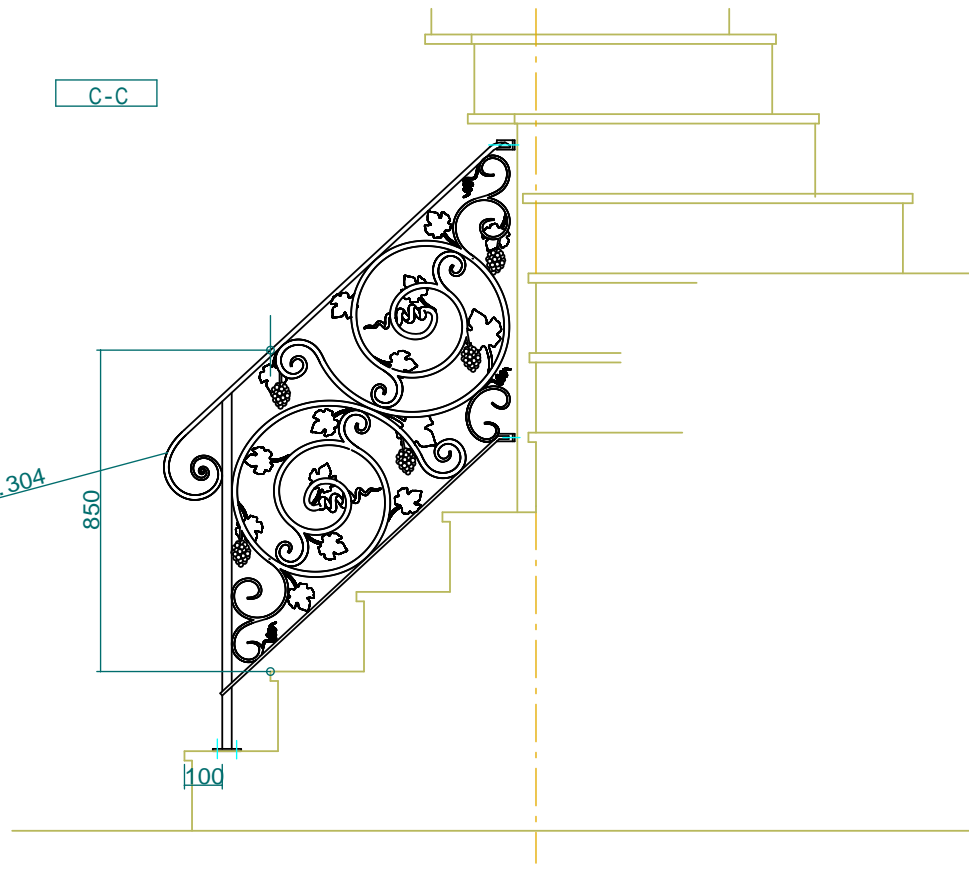
B-B



D-D



C-C



No.	Title:		
View:	T	Subject: 階段周り手摺 A 案	
L	F	R	Scale(Size)= 1:20(A3) Date: Sign: Wji
B	LECKY METAL ORNAMENTS JAPAN		