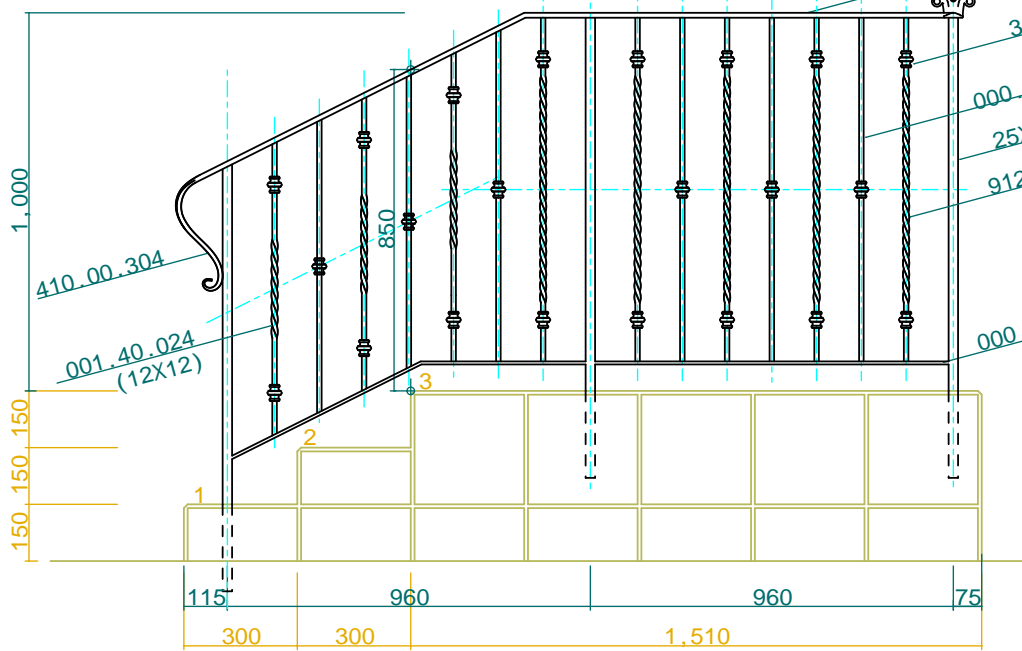
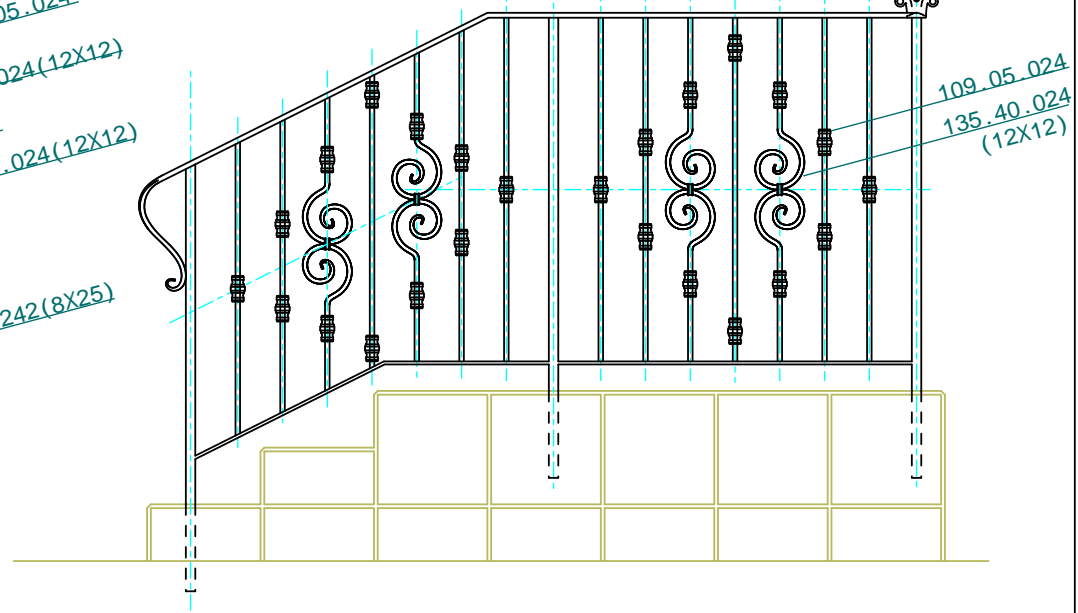


A

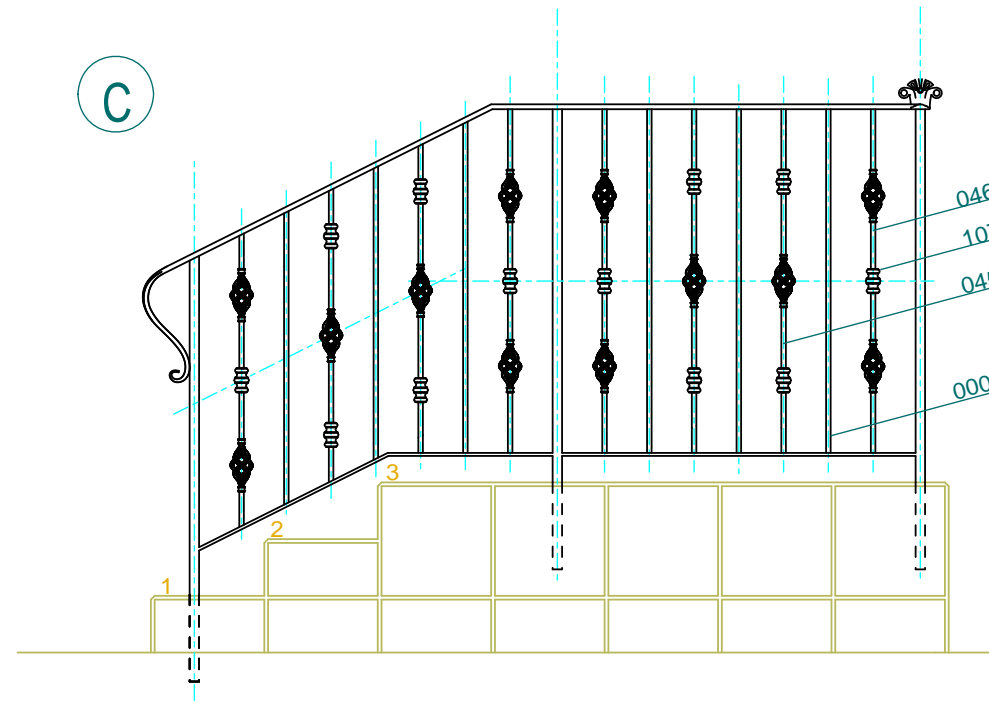
25	12	12	12	12	12	12	12	25
106	106.5	106.5	106.5	106.5	106.5	106.5	106.5	106



B



C



D

