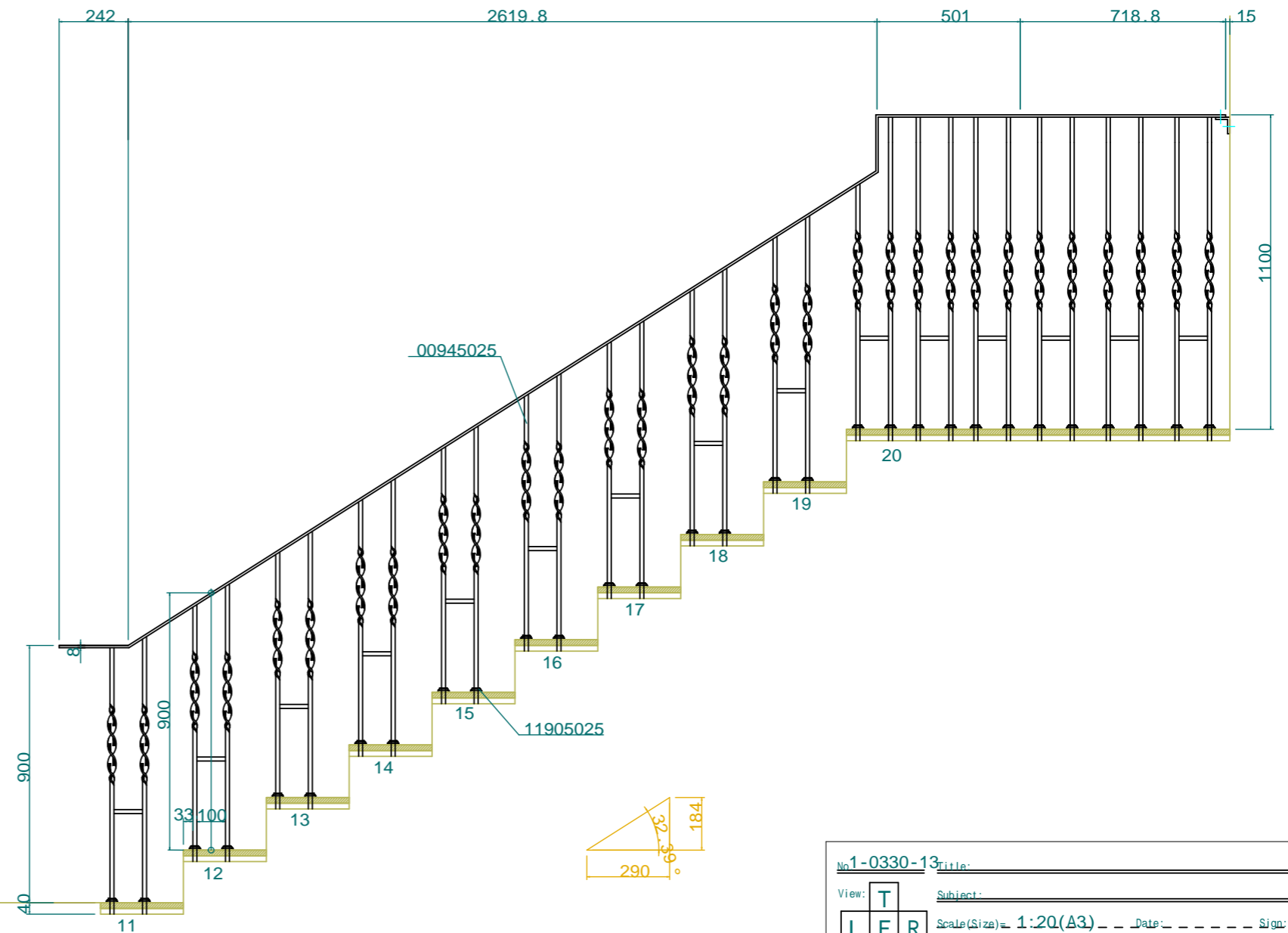
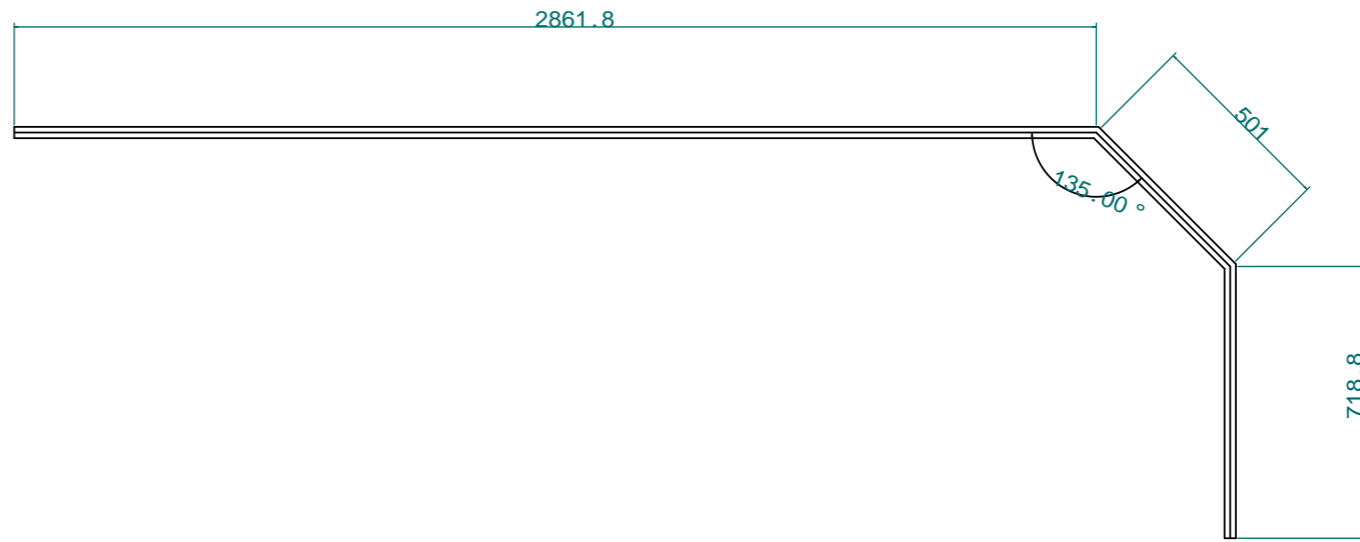
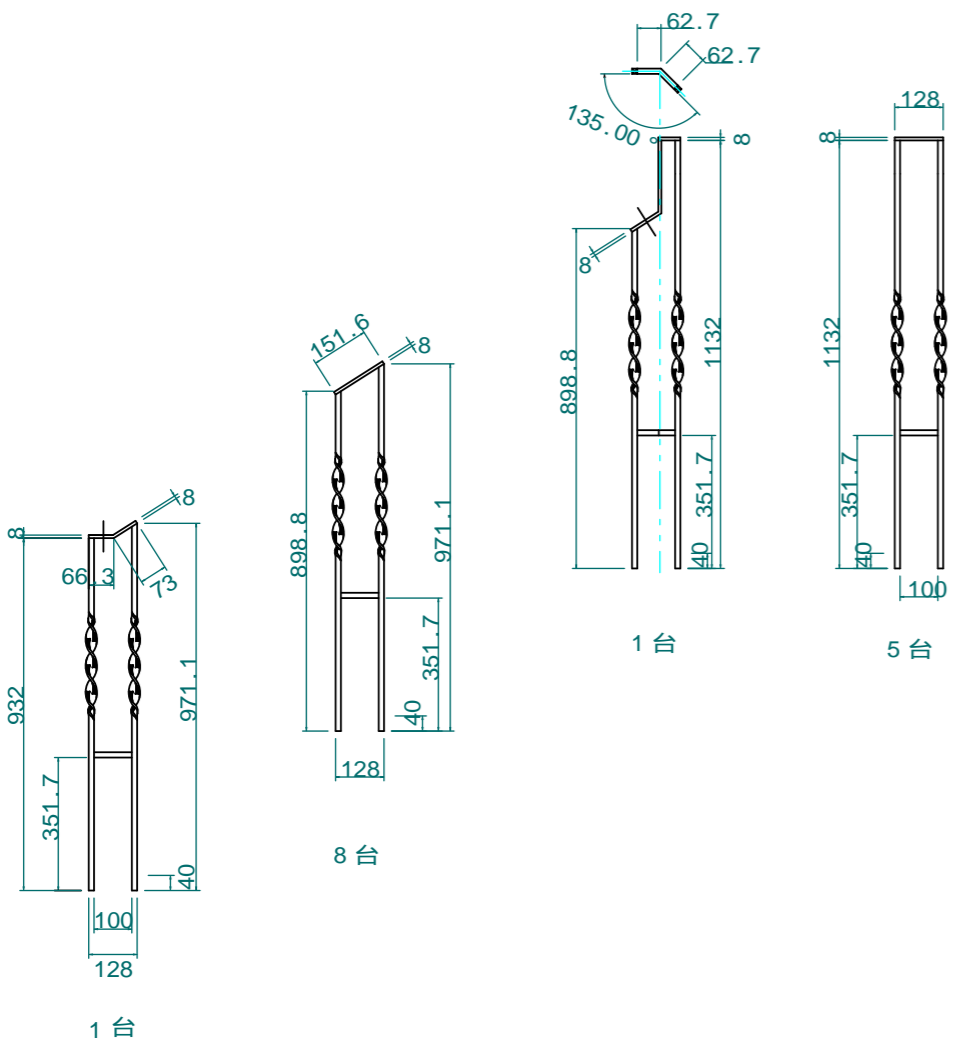
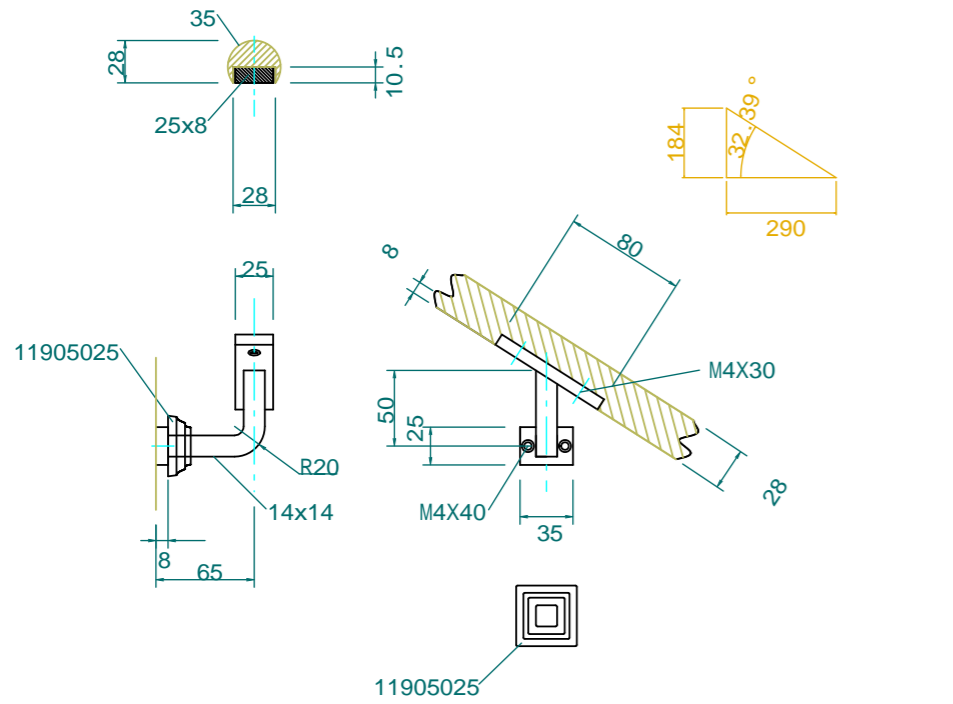


壁付ハンドレール詳細 1:5



No. 1-0330-13		Title:	
View:	T	Subject:	
	L F R	Scale (Size):	1:20 (A3)
	B	Date:	
		Sign:	RJ
LECKY METAL ORNAMENTS JAPAN			