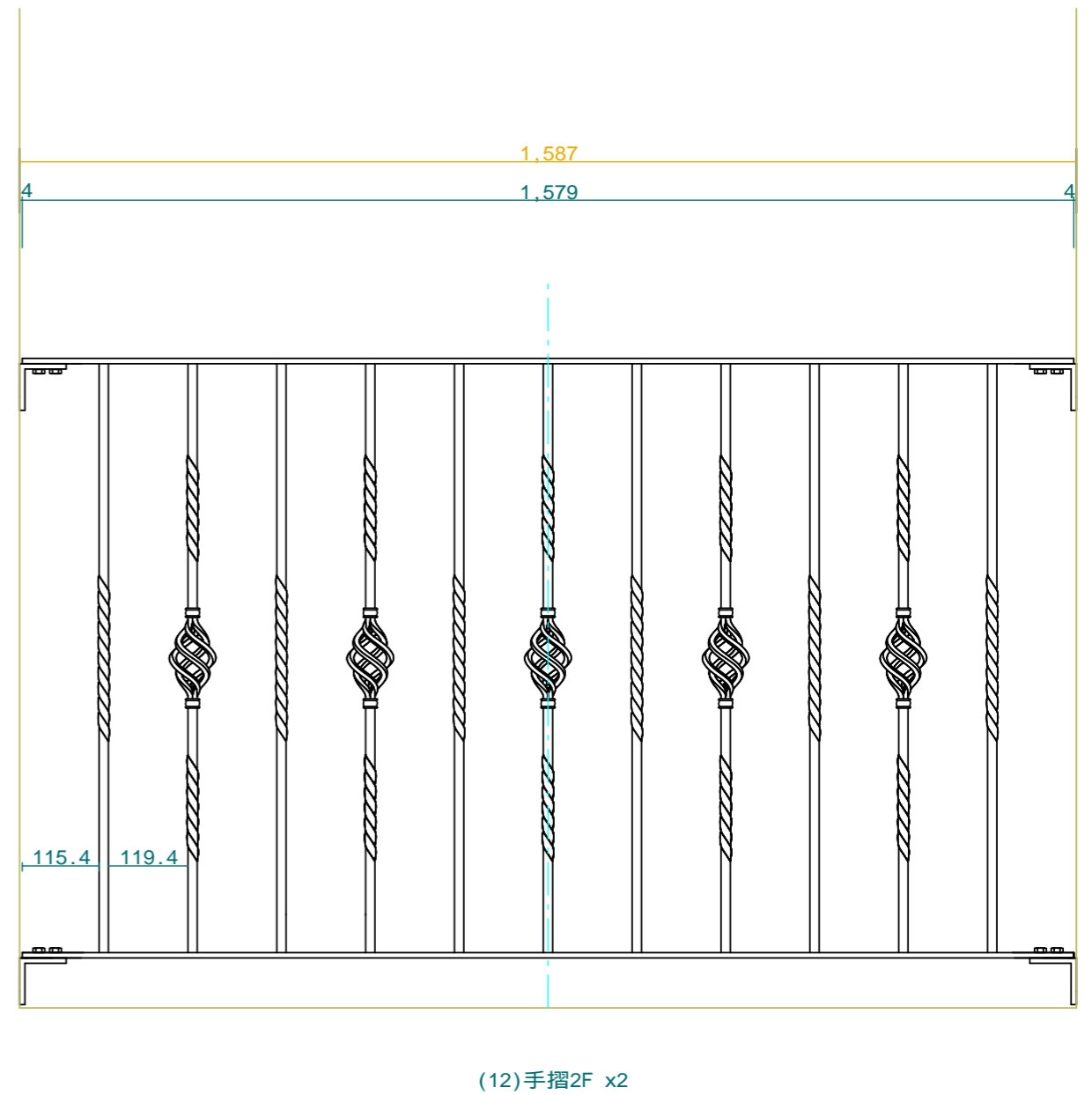
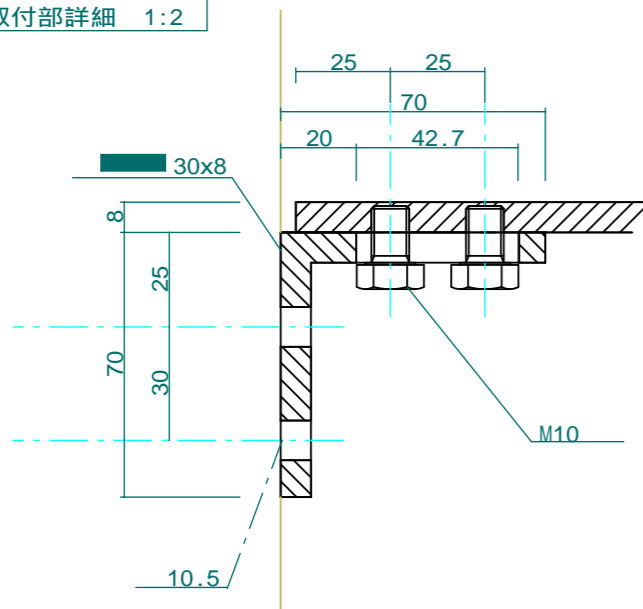


(11)手摺2F x2

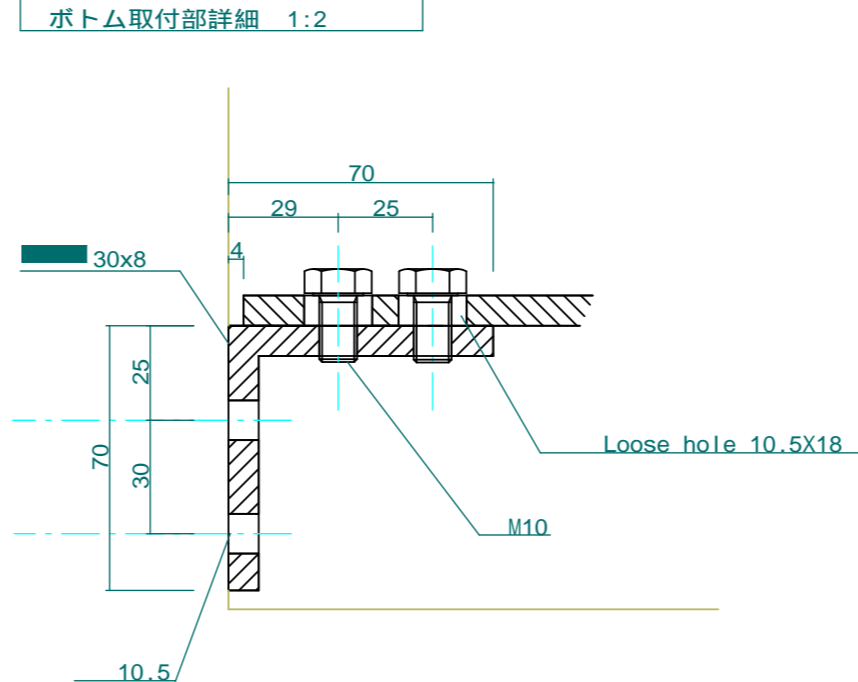


(12)手摺2F x2

ハンドレール取付部詳細 1:2



ボトム取付部詳細 1:2



| | | | |
|-----------------------------|-------------|--------------|-------------------|
| No. | 100190, 191 | Title | ***** |
| View: | T | Subject | 吹抜け部手摺(2F 11, 12) |
| L | F | Scale (Size) | 1:10 (A3B) |
| R | B | Date | --- |
| B | | Sign | _wij_ |
| LECKY METAL ORNAMENTS JAPAN | | | |