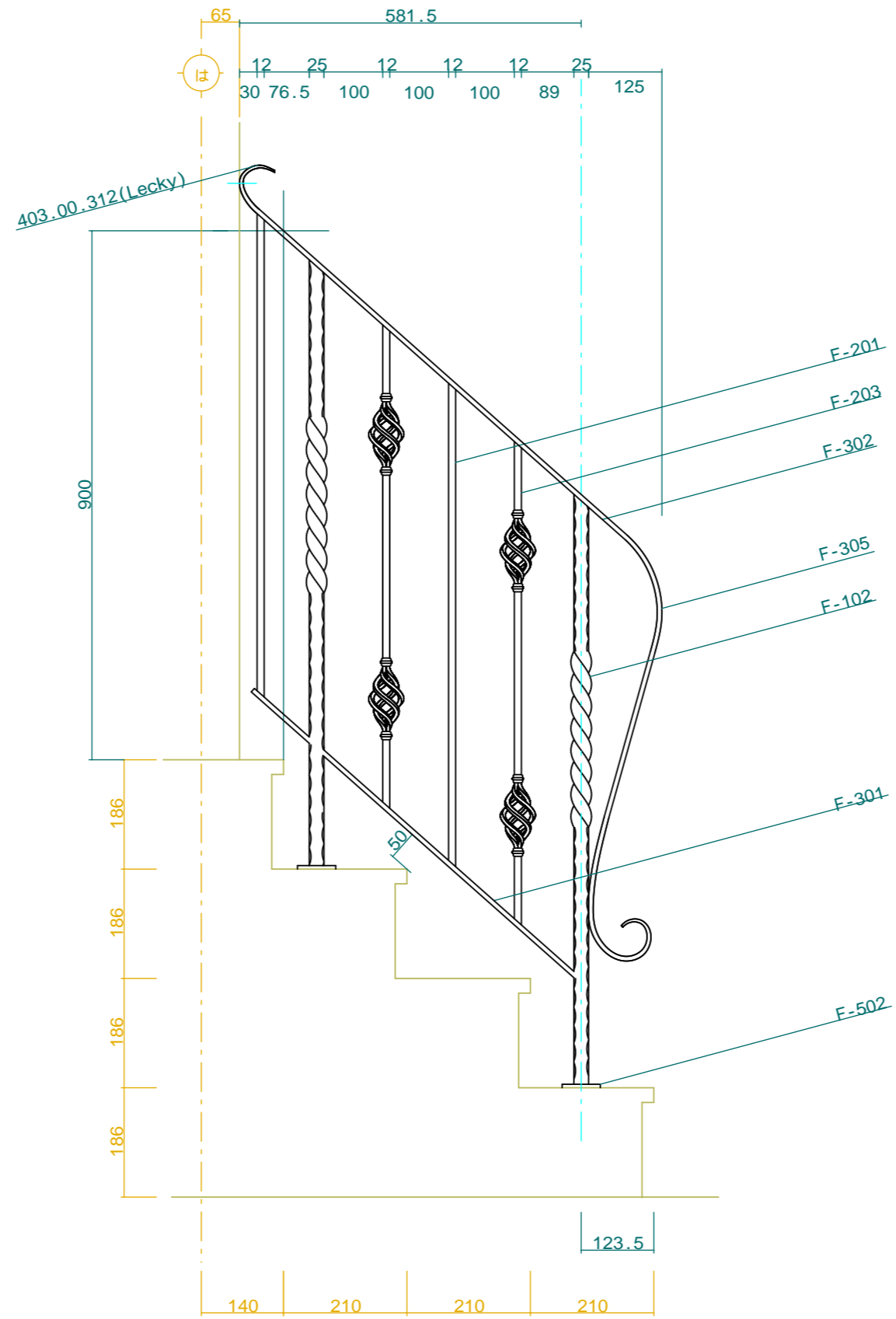


C 案



No.	K-12	Title:			
View:	T	Subject:	階段昇り口手摺		
	L	Scale (Size):	1:10 (A3)	Date:	
	F			Sign:	Wij
	R	LECKY METAL ORNAMENTS JAPAN			
	B				