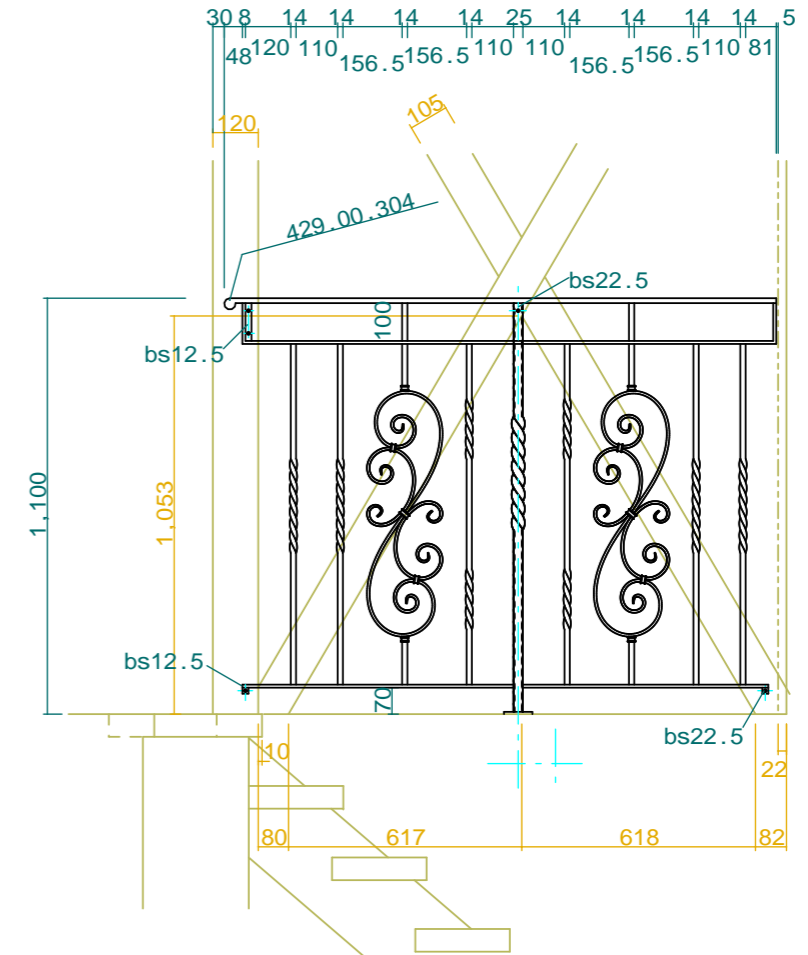
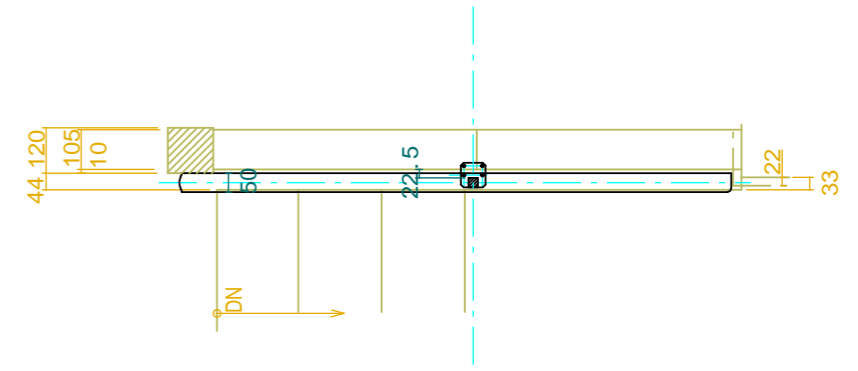
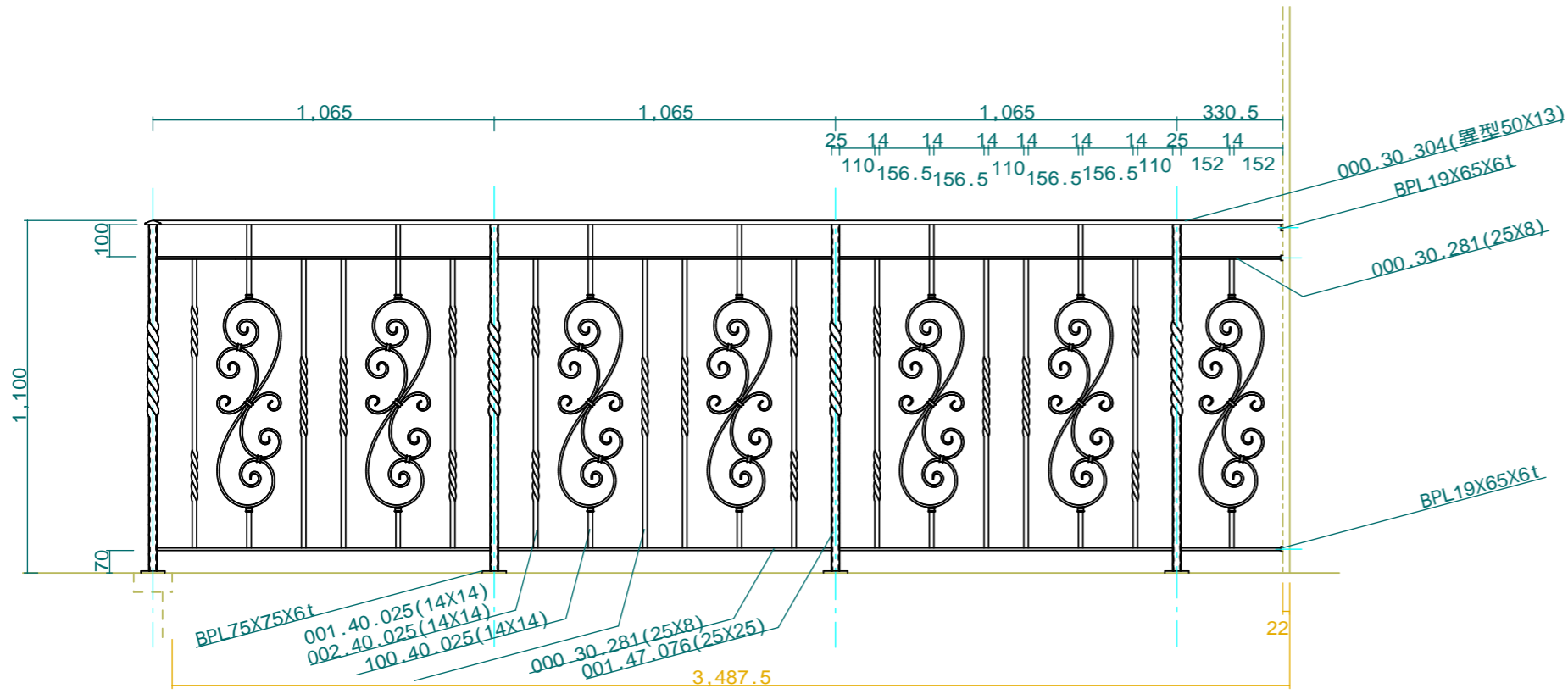


屋上出入口



No.	0022	Title:	
View:	T	Subject:	2F吹抜け手摺
	L F R	Scale (Size):	1:20 (A3) _ _ _ _ Date: _ _ _ _ Sign: _Wt j_
	B	LECKY METAL ORNAMENTS JAPAN	