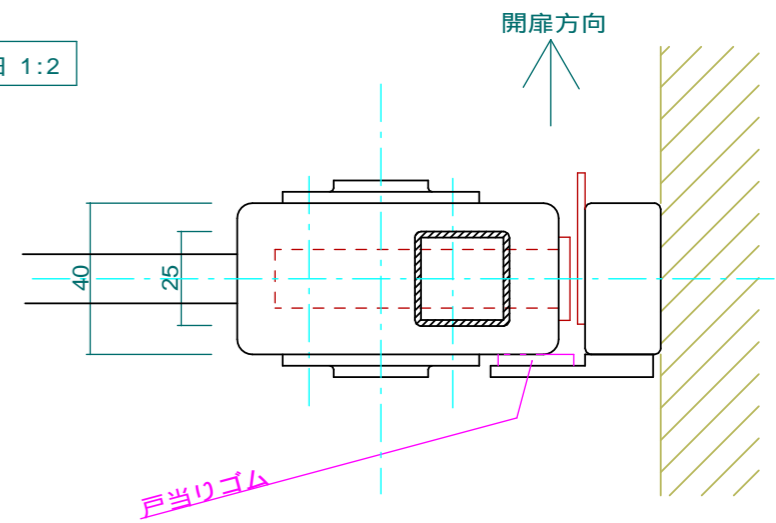
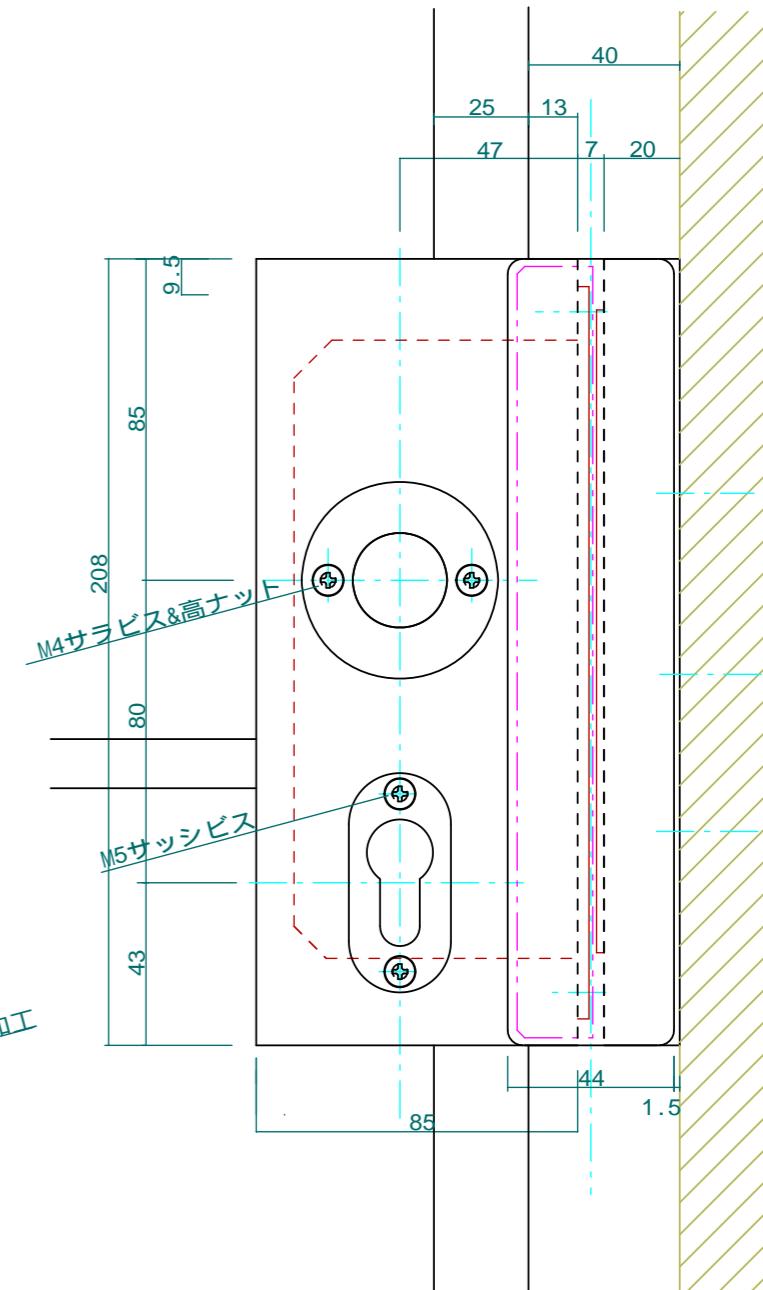
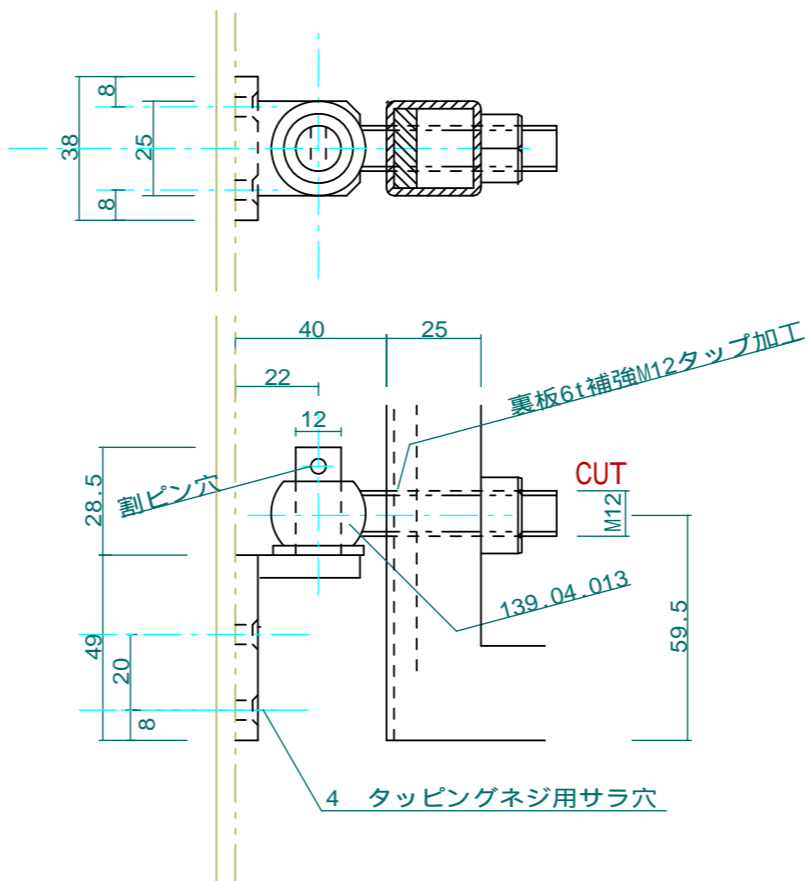


錠周り詳細 1:2



丁番詳細 1:2



| | |
|-----------------------------|------------------------|
| No. | Title: |
| View: | Subject: 玄関側アーチ門扉 |
| Scale(Size): 1:10(A3) | Date: _____ Sign: W.J. |
| LECKY METAL ORNAMENTS JAPAN | |