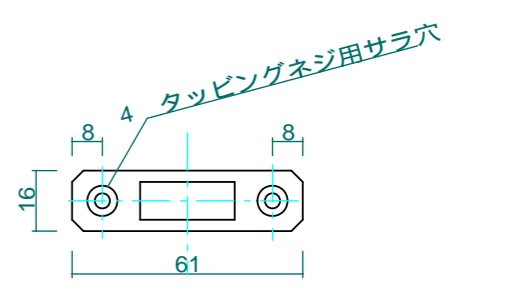
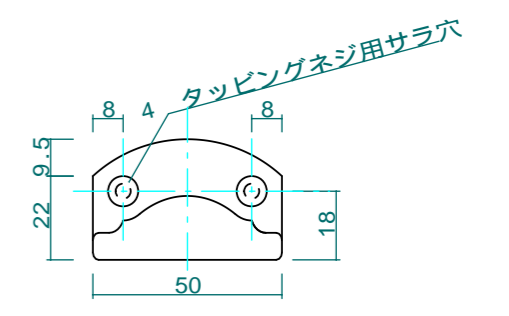


壁付BPL詳細 1:2



Nr. 0011	Title:
View: T	Subject: 1F階段手摺
L F R	Scale(Size): 1:10(A3) _Date_: _ _ _ _ _ Sign: _Wij_
B	LECKY METAL ORNAMENTS JAPAN