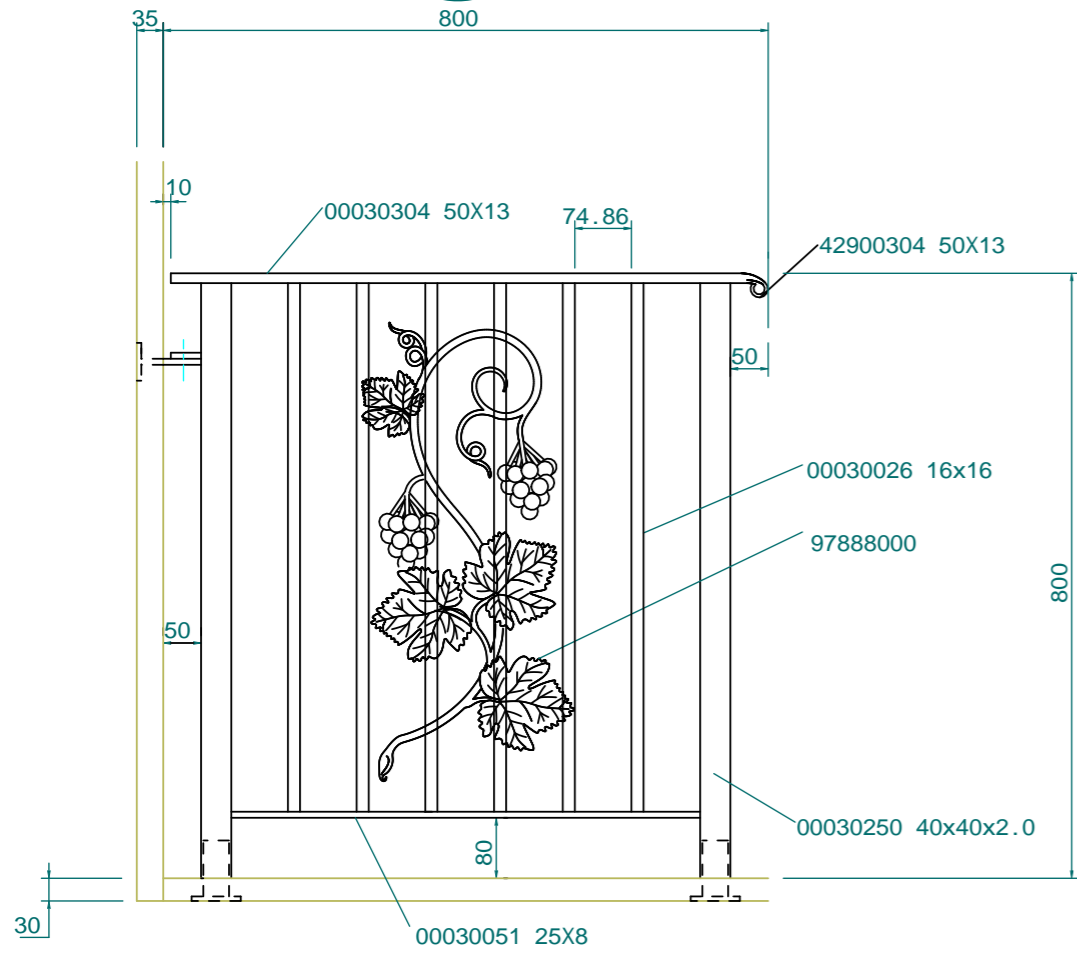
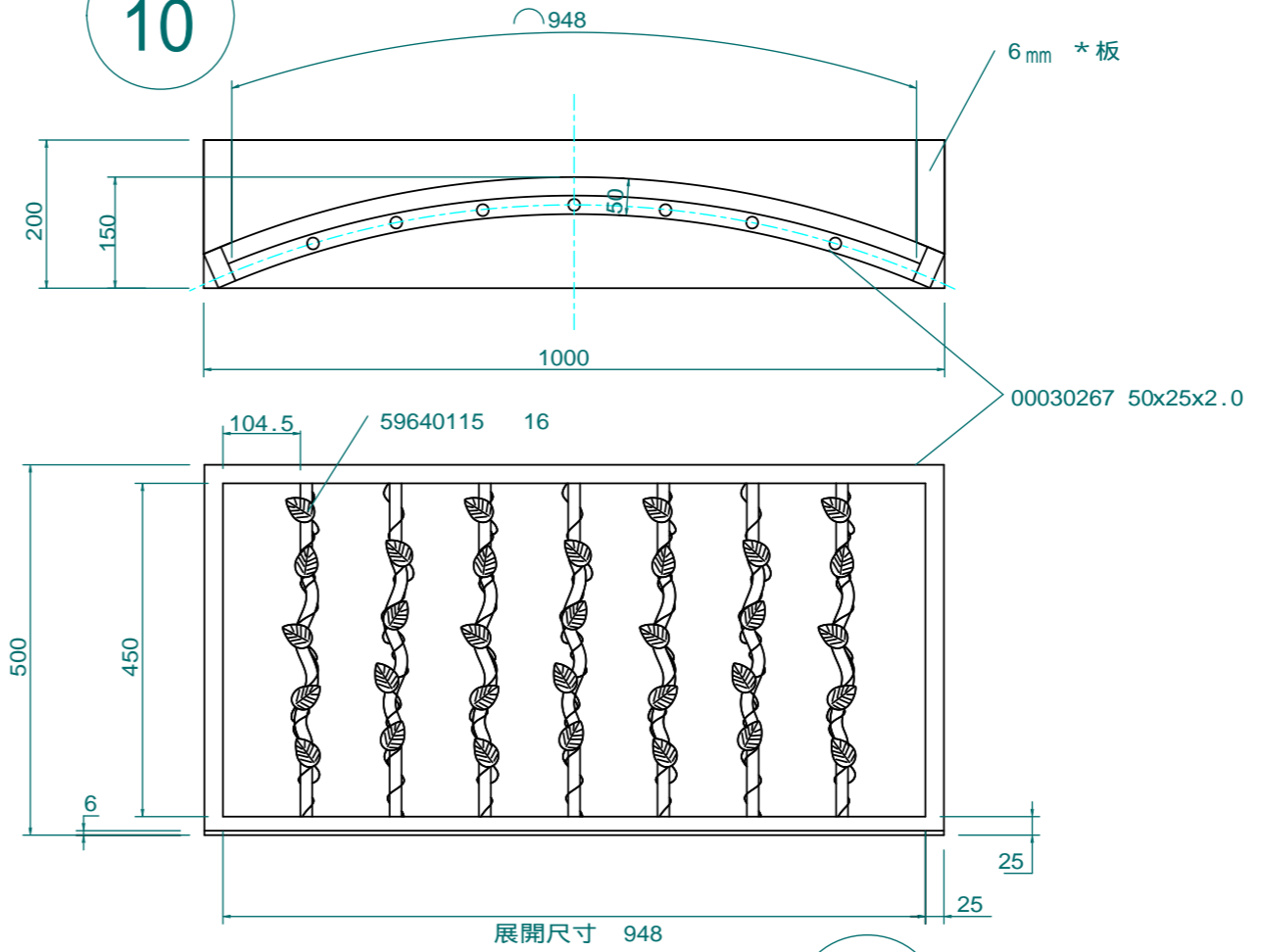


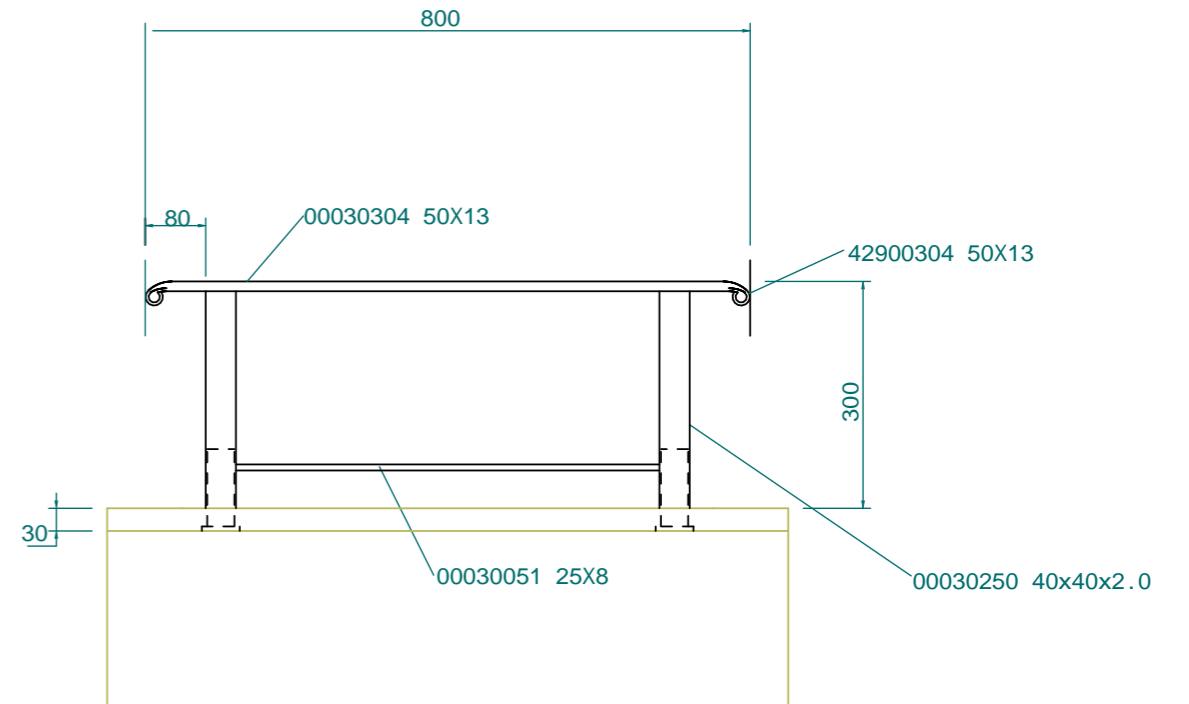
6



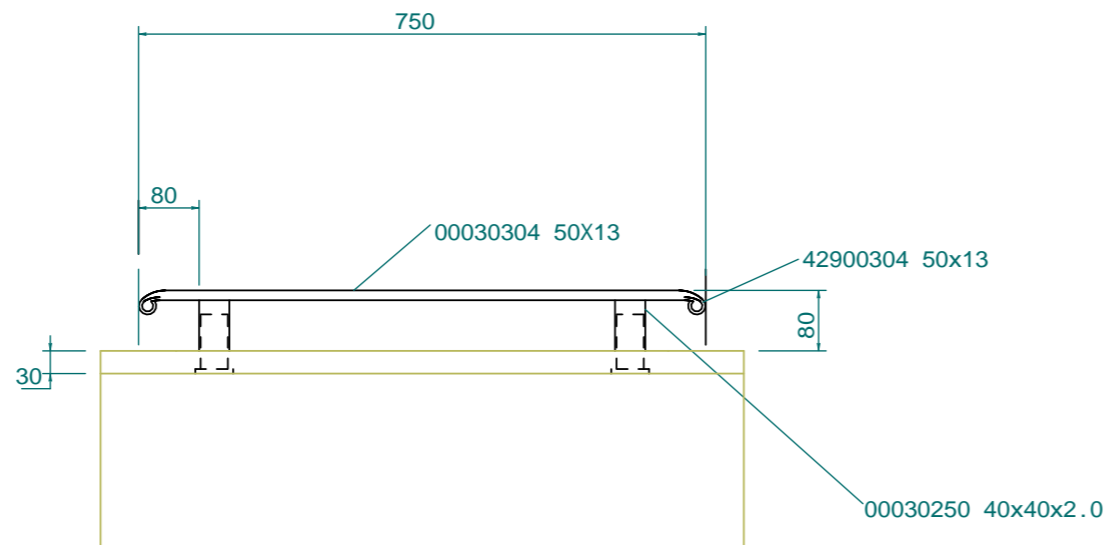
10



5



4



No. 1-0446-2		Title: 0000
View: T		Subject: 0000
L	F	Scale(Size) = 1:10(A3) Date: _____ Sign: yh
R	B	
LECKY METAL ORNAMENTS JAPAN		