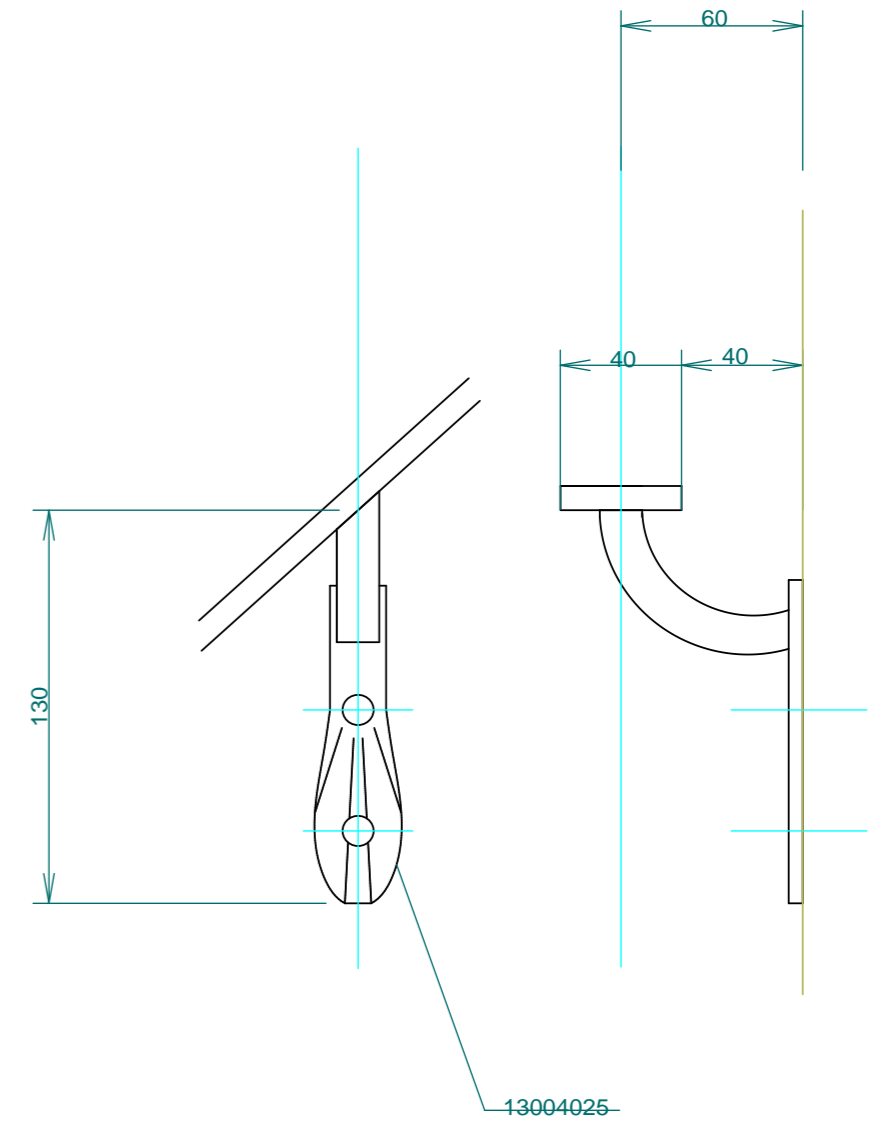


取付ブラケット詳細



No. 1-0502	Title:						
View	Subject:						
<table border="1"> <tr> <td>T</td> <td></td> </tr> <tr> <td>L</td> <td>R</td> </tr> <tr> <td>F</td> <td>B</td> </tr> </table>	T		L	R	F	B	Scale(Size)= 1:10(A3) Date: Sign: wtj
T							
L	R						
F	B						
LECKY METAL ORNAMENTS JAPAN							