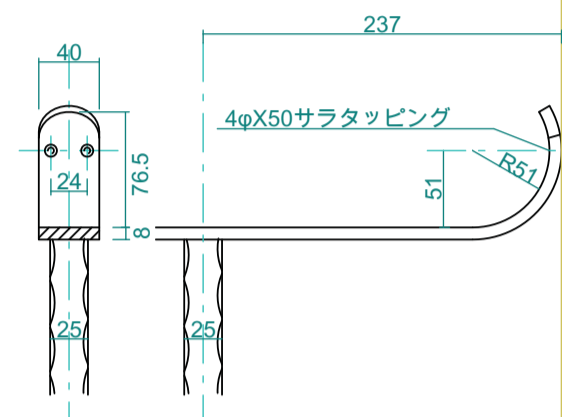
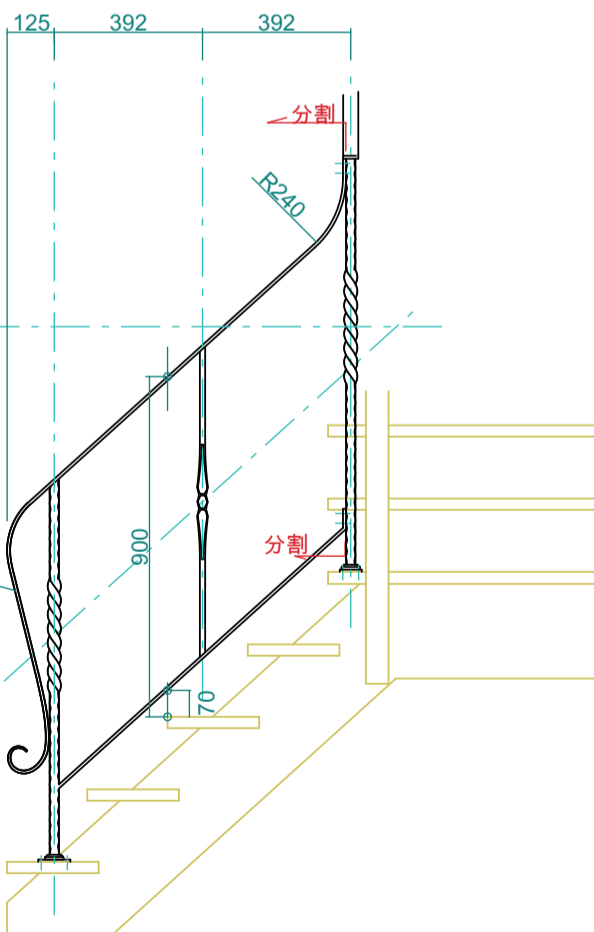
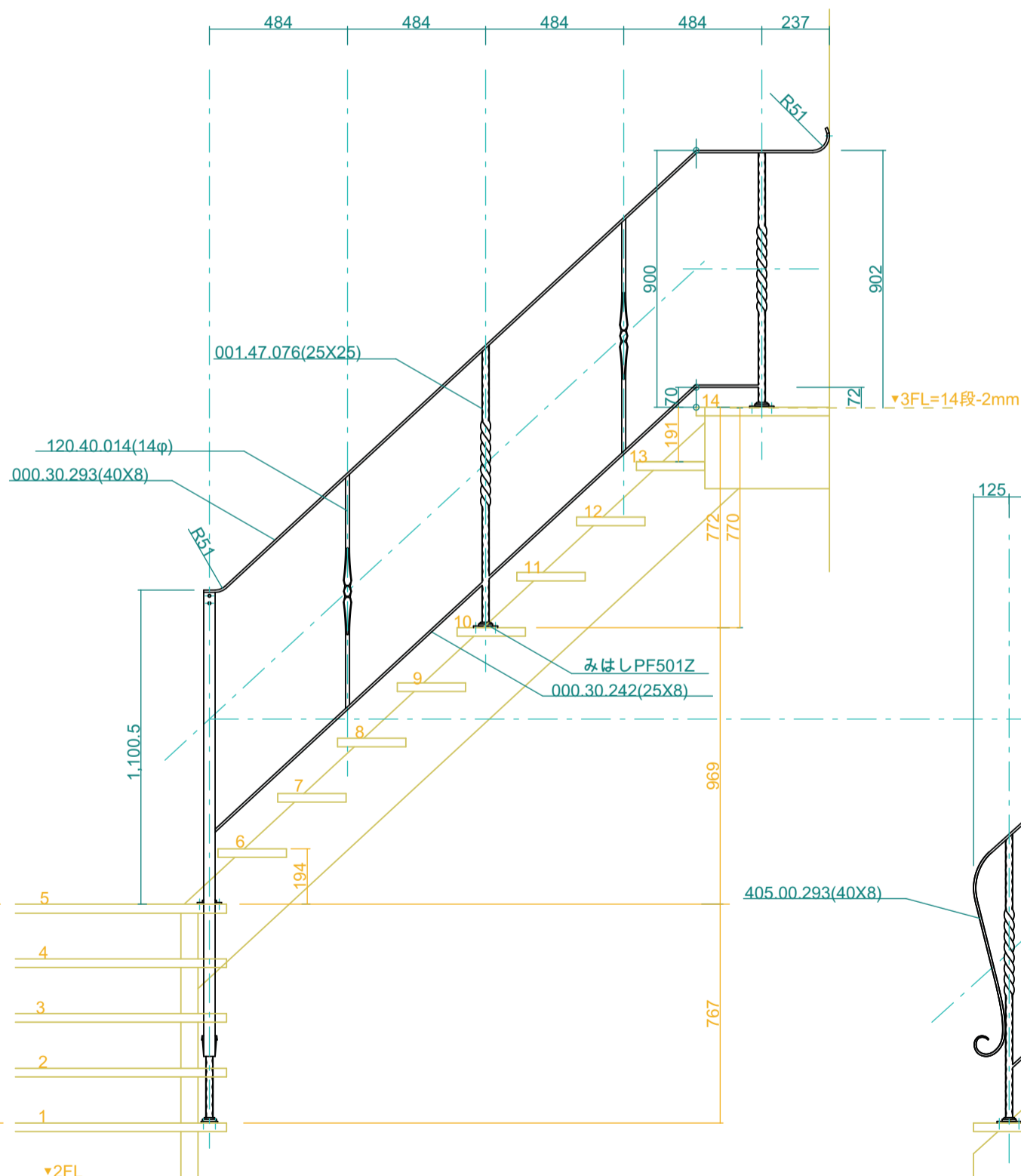
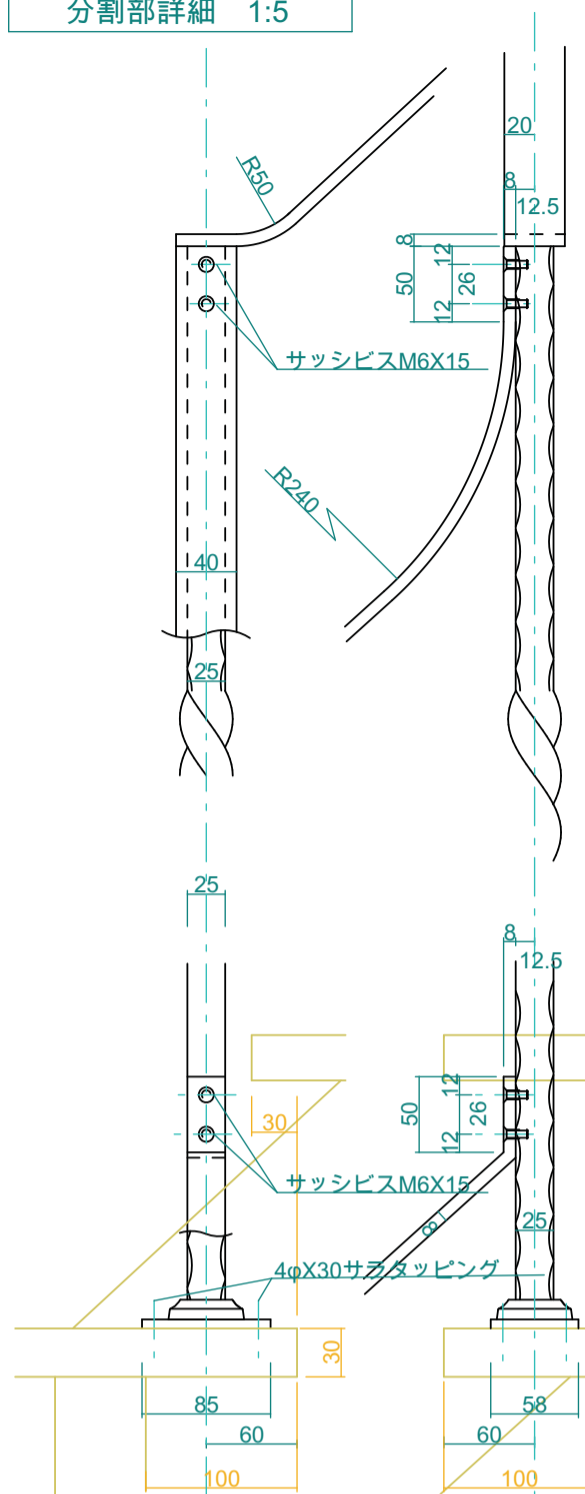


壁付部詳細 1:5



分割部詳細 1:5



※ 焼付塗装仕上(黒色3分ツヤ)

No.	Title:		
View:	T	Subject: 2-3F階段手摺	
L	F	Scale(Size): 1:20(A3)	Date:
R	B	Sign: Wtj	
LECKY METAL ORNAMENTS JAPAN			