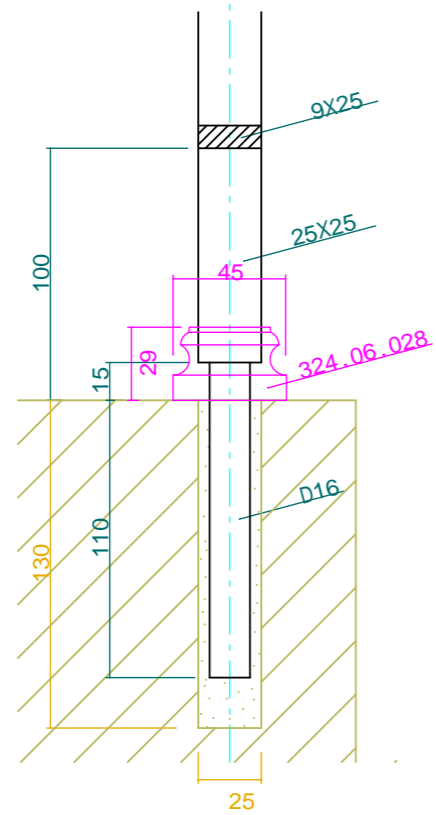
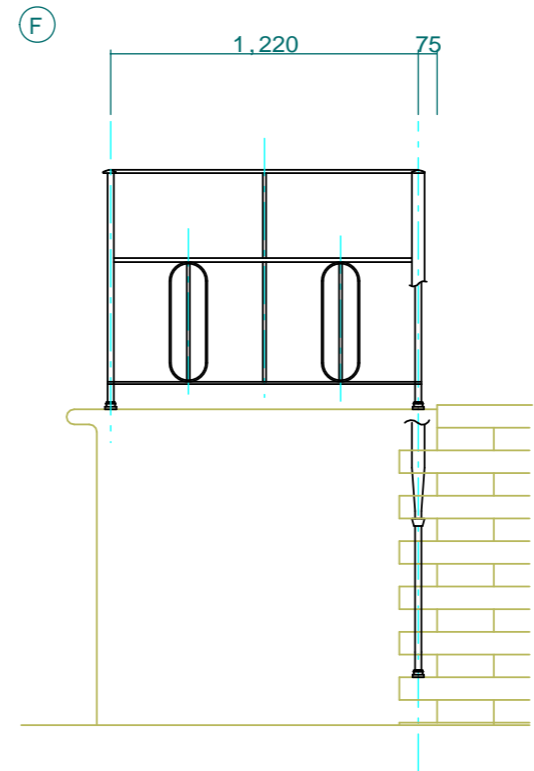
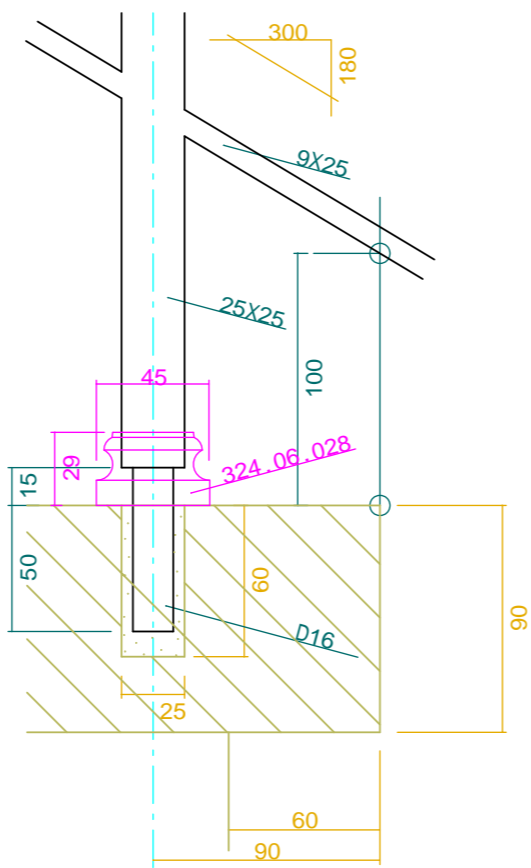


口ク部取付詳細 1:3



階段部取付詳細 1:3



No.	B05	Title:	
View:	T	Subject:	左側手摺
	L	Scale(Size):	1:30 (A3)
	F	Date:	
	R	Sign:	Wij
	B		
LECKY METAL ORNAMENTS JAPAN			