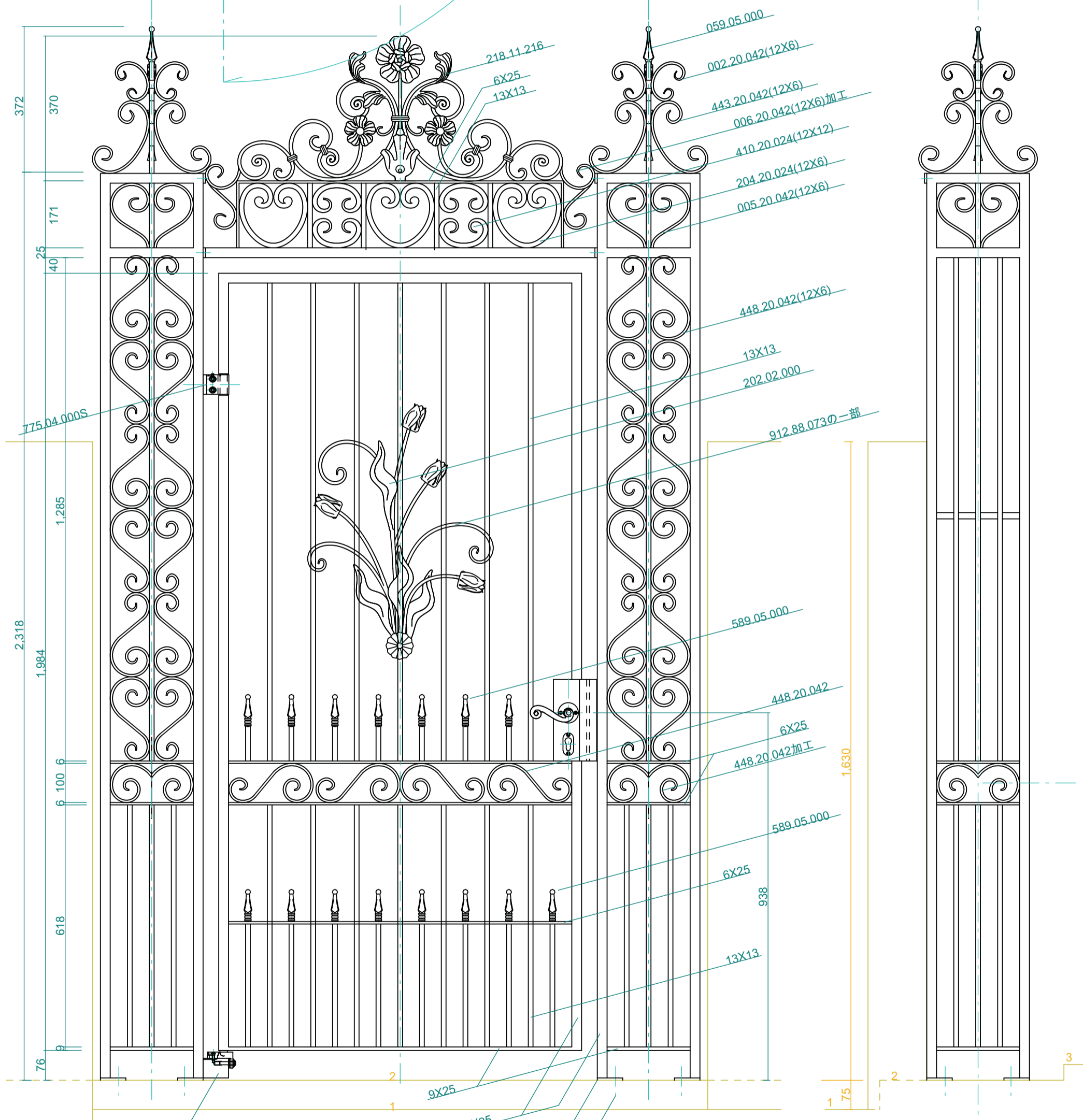
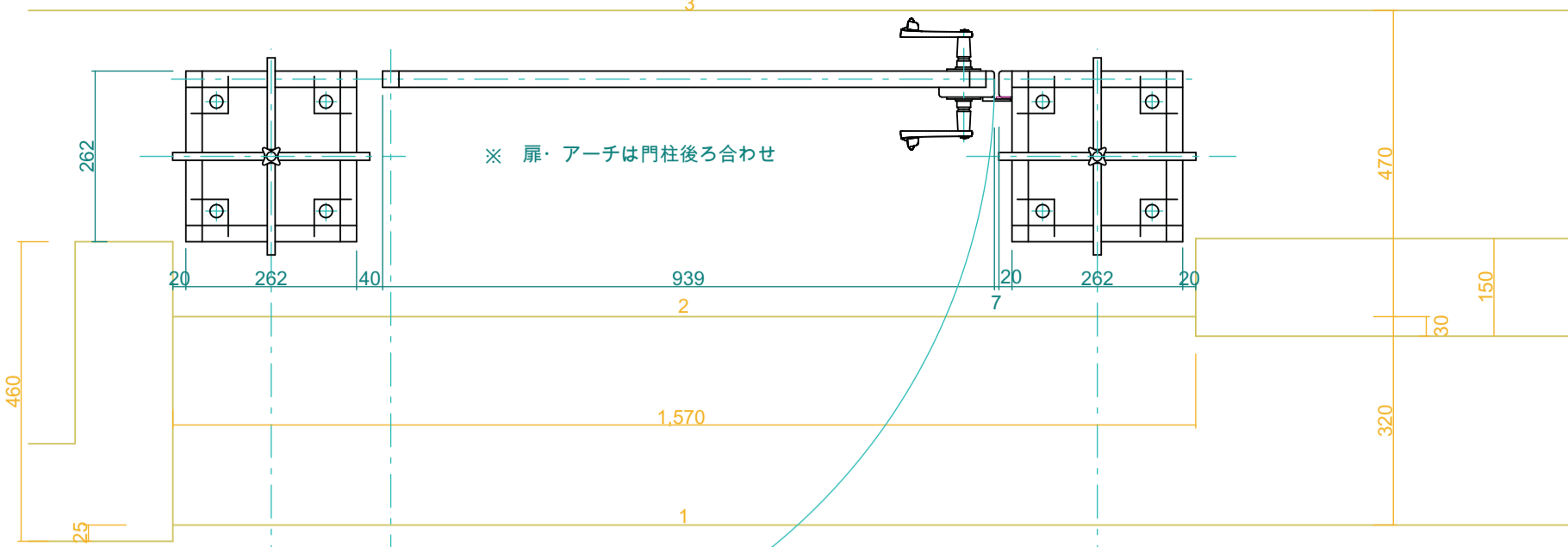


3



No. B-21	Title:
View: T	Subject: 門扉 B2
L F R	Scale(Size): 1:10(A3) _ _ _ Date: _ _ _ _ _ Sign: _ _ _ _ _
B	LECKY METAL ORNAMENTS JAPAN