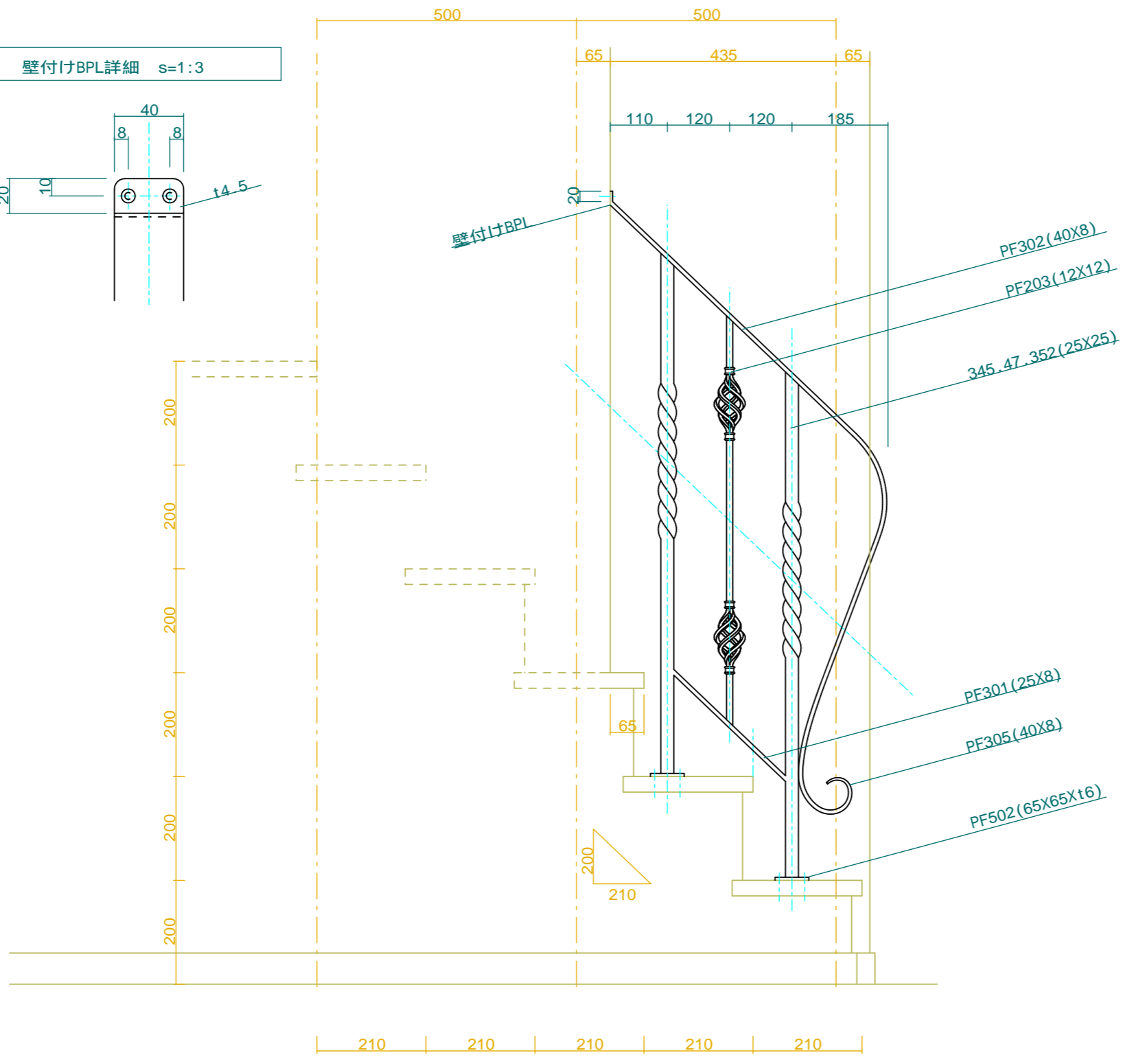
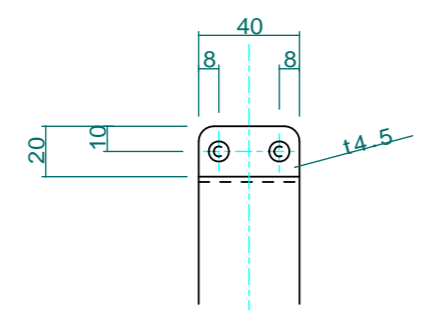


壁付けBPL詳細 s=1:3



No.	01	Title:	
View:	T	Subject:	階段端手摺
	L	Scale(Size):	1:10(A3)
	F	Date:	
	R	Sign:	Wfj
	B		