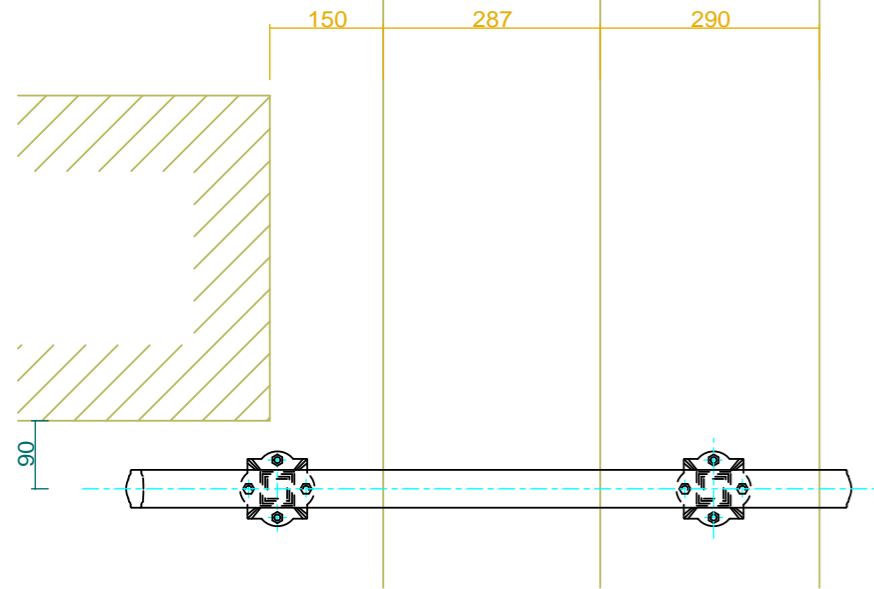
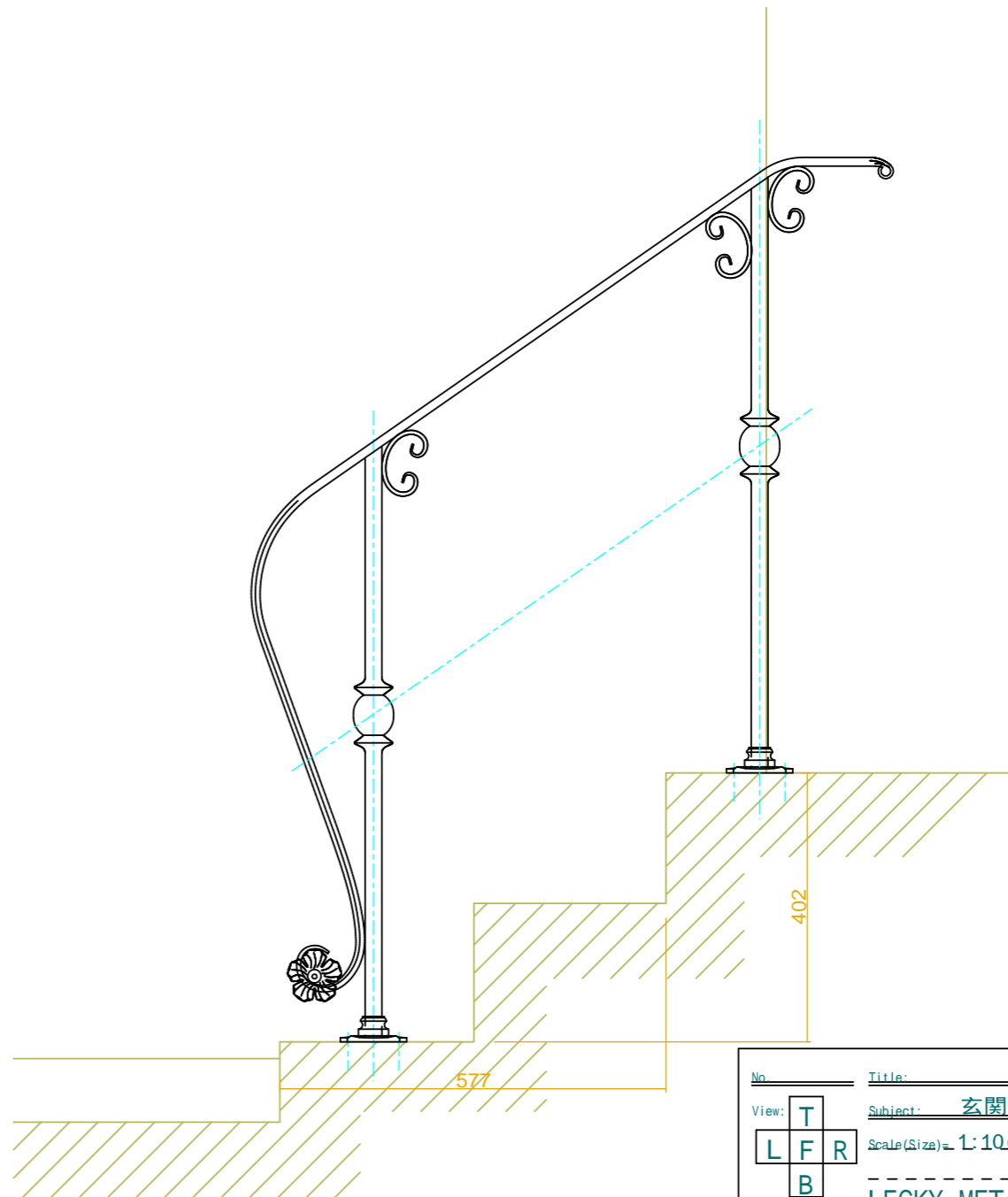
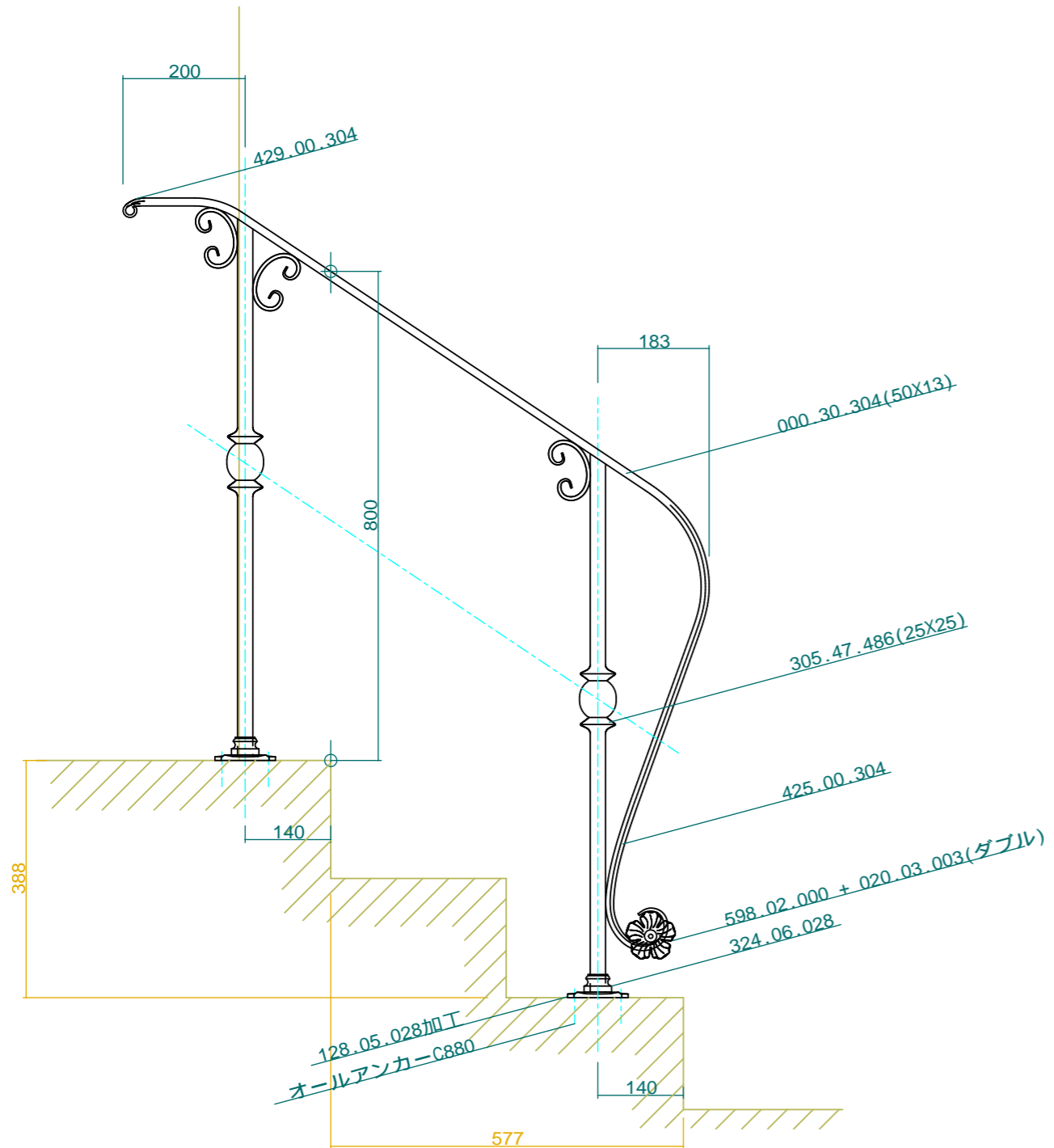
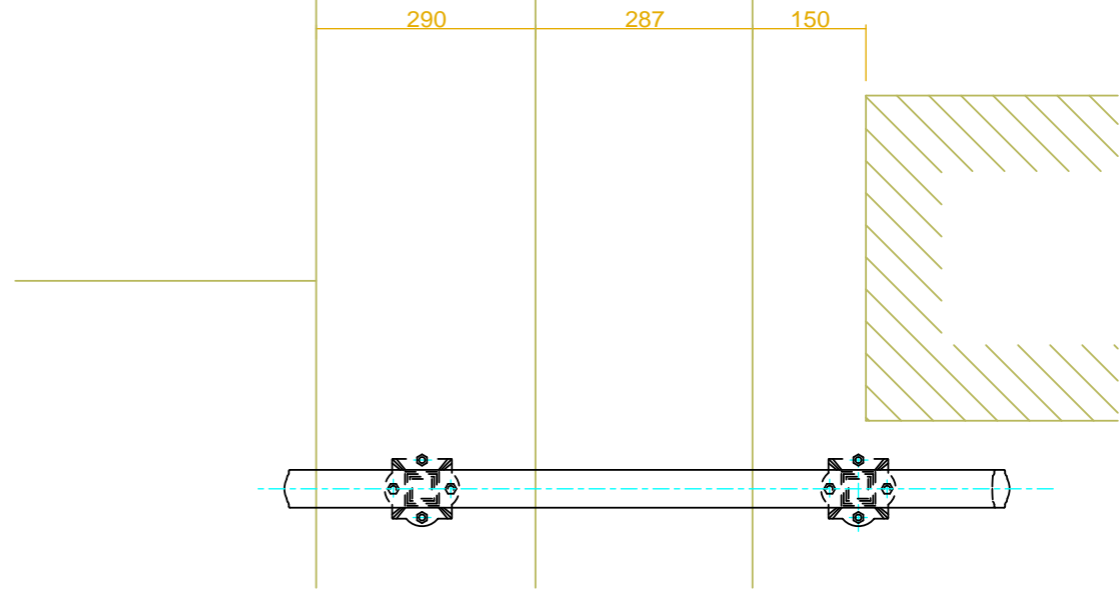


右側手摺



左側手摺



No.	Title:		
View:	T	Subject: 玄関入口階段手摺	
	L	F	R
	B	Scale(Size) = 1:10(A3) Date: Sign: wij	
LECKY METAL ORNAMENTS JAPAN			