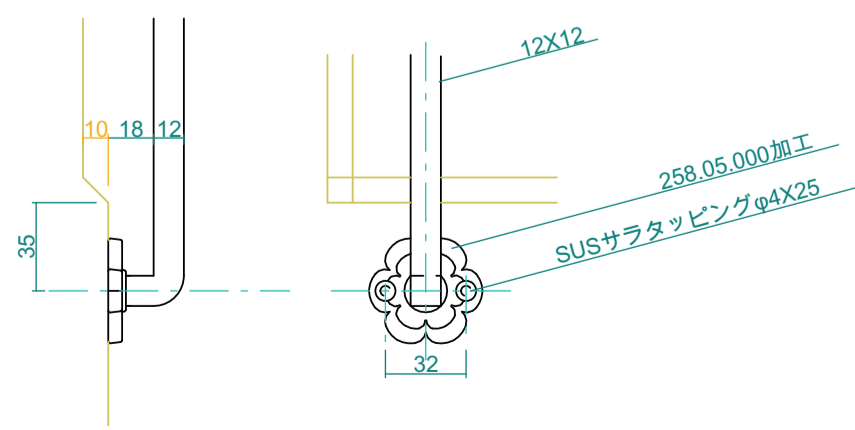


取付部詳細 1:3



決定案1308130

No.	Title		
View:	T	Subject: 南面1F玄関扉窓格子	
L	F	R	Scale(Size): 1:10(A3) -- Date: --- Sign: WJ
B	LECKY METAL ORNAMENTS JAPAN		