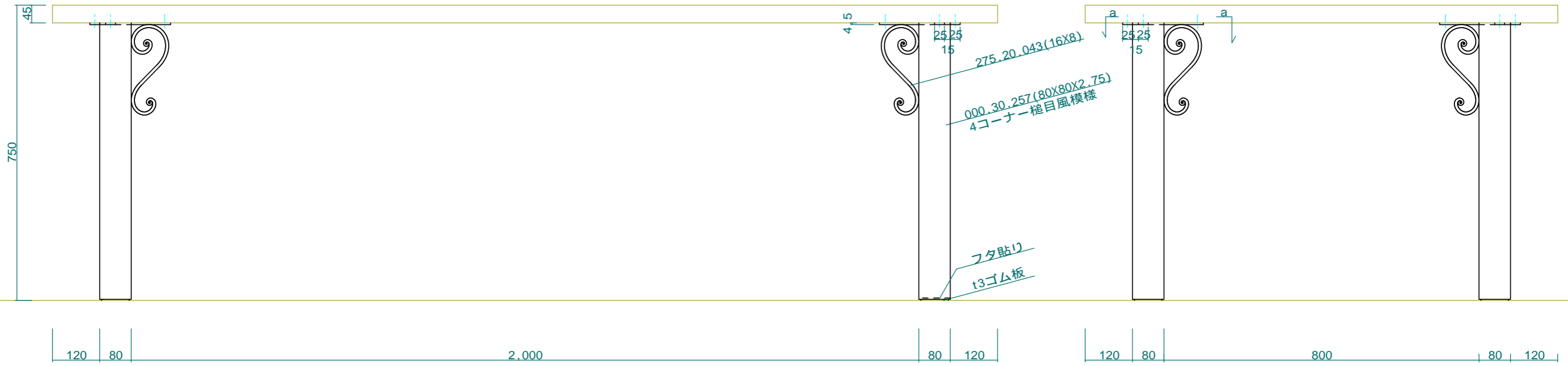
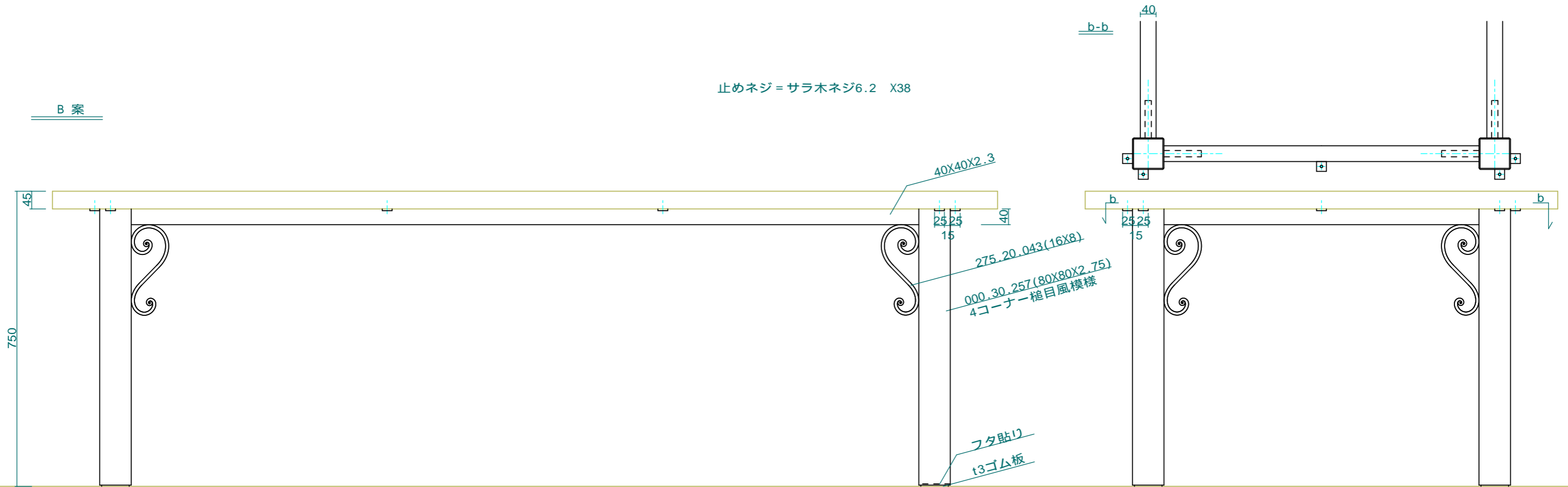


A 案



B 案



No.	02	Title:	
View:	T	Subject:	テーブル脚 案
	L F R	Scale(Size):	1:10(A3) _ _ _ _ Date: _ _ _ _ _ Sign: Wj
	B	LECKY METAL ORNAMENTS JAPAN	